

Quantum algorithm for estimating volumes of convex bodies

Shouvanik Chakrabarti* Andrew M. Childs* Shih-Han Hung*
Tongyang Li* Chunhao Wang[†] Xiaodi Wu*

Abstract

Estimating the volume of a convex body is a central problem in convex geometry and can be viewed as a continuous version of counting. We present a quantum algorithm that estimates the volume of an n -dimensional convex body within multiplicative error ϵ using $\tilde{O}(n^{3.5} + n^{2.5}/\epsilon)$ queries to a membership oracle and $\tilde{O}(n^{5.5} + n^{4.5}/\epsilon)$ additional arithmetic operations. For comparison, the best known classical algorithm uses $\tilde{O}(n^4 + n^3/\epsilon^2)$ queries and $\tilde{O}(n^6 + n^5/\epsilon^2)$ additional arithmetic operations. To the best of our knowledge, this is the first quantum speedup for volume estimation. Our algorithm is based on a refined framework for speeding up simulated annealing algorithms that might be of independent interest. This framework applies in the setting of “Chebyshev cooling”, where the solution is expressed as a telescoping product of ratios, each having bounded variance. We develop several novel techniques when implementing our framework, including a theory of continuous-space quantum walks with rigorous bounds on discretization error.

*Department of Computer Science, Institute for Advanced Computer Studies, and Joint Center for Quantum Information and Computer Science, University of Maryland. Email address: {shouv,tongyang,xwu}@cs.umd.edu, {amchilds,shung}@umd.edu

[†]Department of Computer Science, University of Texas at Austin. Email address: chunhao@cs.utexas.edu

1 Introduction

Estimating the volume of a convex body is a central challenge in theoretical computer science. Volume estimation is a basic problem in convex geometry and can be viewed as a continuous version of counting. Furthermore, algorithms for a generalization of volume estimation—namely log-concave sampling—can be directly used to perform convex optimization, and hence can be widely applied to problems in statistics, machine learning, operations research, etc. See the survey [60] for a more comprehensive introduction.

Volume estimation is a notoriously difficult problem. References [7, 21] proved that any *deterministic algorithm* that approximates the volume of an n -dimensional convex body within a factor of $n^{o(n)}$ necessarily makes exponentially many queries to a membership oracle for the convex body. Furthermore, Refs. [20, 28, 29] showed that estimating the volume exactly (deterministically) is #P-hard, even for explicitly described polytopes.

Surprisingly, volumes of convex bodies can be approximated efficiently by *randomized algorithms*. Reference [19] gave the first polynomial-time randomized algorithm for estimating the volume of a convex body in \mathbb{R}^n . It presents an iterative algorithm that constructs a sequence of convex bodies. The volume of the convex body of interest can be written as the telescoping product of the ratios of the volumes of consecutive convex bodies, and these ratios are estimated by Markov chain Monte Carlo (MCMC) methods via random walks inside these convex bodies. The algorithm in [19] has complexity¹ $\tilde{O}(n^{23})$ with constant multiplicative error. Subsequent work [6, 18, 27, 37–39, 41] improved the design of the iterative framework and the choice of the random walks. The state-of-the-art algorithm for estimating the volume of a general convex body [42] uses $\tilde{O}(n^4)$ queries to the oracle for the convex body and $\tilde{O}(n^6)$ additional arithmetic operations. It has been an open question for around 15 years to improve this $\tilde{O}(n^4)$ query complexity.

It is natural to ask whether quantum computers can solve volume estimation even faster than classical randomized algorithms. Although there are frameworks with potential quantum speedup for simulated annealing algorithms in general, with volume estimation as a possible application [62], no explicit quantum speedup for volume estimation has previously been shown. There are several reasons to develop such a result. First, quantum algorithms for volume estimation can be seen as performing a continuous version of quantum counting [10, 11], a key algorithmic technique with wide applications in quantum computing. Second, quantum algorithms for volume estimation can exploit quantum MCMC methods (e.g., [45, 50, 61]), and a successful quantum volume estimation algorithm may illuminate the application of quantum MCMC methods in other scenarios. Third, there has been recent progress on quantum algorithms for convex optimization [5, 12], so it is natural to understand the closely related task of estimating volumes of convex bodies.

Formulation Given a convex set $K \subset \mathbb{R}^n$, we consider the general problem of estimating its volume

$$\text{Vol}(K) := \int_{x \in K} dx. \tag{1.1}$$

To get a basic sense about the location of K , we assume that it contains the origin. Furthermore, we assume that we are given inner and outer bounds on K , namely

$$B_2(0, r) \subseteq K \subseteq B_2(0, R), \tag{1.2}$$

where $B_2(x, l)$ is the ball of radius l in ℓ_2 -norm centered at $x \in \mathbb{R}^n$. Denote $D := R/r$.

¹Throughout the paper, \tilde{O} omits factors in $\text{poly}(\log R/r, \log 1/\epsilon, \log n)$, where R and r are defined in (1.2).

We consider the very general setting where the convex body K is only specified by an oracle. In particular, we have a *membership oracle* for K , which determines whether a given $x \in \mathbb{R}^n$ belongs to K . The efficiency of volume estimation is then measured by the number of queries to the membership oracle (i.e., the *query complexity*) and the total number of other arithmetic operations.

In the quantum setting, the membership oracle is a unitary operator O_K . Specifically, for any $x \in \mathbb{R}^n$ we have

$$O_K|x, 0\rangle = |x, \delta[x \in K]\rangle, \quad (1.3)$$

where $\delta[P]$ is 1 if P is true and 0 if P is false. In other words, we allow coherent superpositions of queries to the membership oracle. If the classical membership oracle can be implemented by an explicit classical circuit, then the corresponding quantum membership oracle can be implemented by a quantum circuit of about the same size. Therefore, the quantum query model provides a useful framework for understanding the quantum complexity of volume estimation.

1.1 Contributions

Our main result is a quantum algorithm for estimating volumes of convex bodies. Specifically, we show the following:

Theorem 1.1 (Main Theorem). *Let $K \subset \mathbb{R}^n$ be a convex set with $B_2(0, r) \subseteq K \subseteq B_2(0, R)$. Assume $0 < \epsilon < 1/2$. Then there is a quantum algorithm that returns a value $\widetilde{\text{Vol}}(K)$ satisfying*

$$\frac{1}{1 + \epsilon} \text{Vol}(K) \leq \widetilde{\text{Vol}}(K) \leq (1 + \epsilon) \text{Vol}(K) \quad (1.4)$$

using $\tilde{O}(n^{3.5} + n^{2.5}/\epsilon)$ quantum queries to the membership oracle O_K (defined in (1.3)) and $\tilde{O}(n^{5.5} + n^{4.5}/\epsilon)$ additional arithmetic operations.

To the best of our knowledge, this is the first quantum algorithm that achieves quantum speedup for this fundamental problem, compared to the classical state-of-the-art algorithm [16, 42] that uses $\tilde{O}(n^4 + n^3/\epsilon^2)$ classical queries and $\tilde{O}(n^6 + n^5/\epsilon^2)$ additional arithmetic operations. Furthermore, our quantum algorithm not only achieves a quantum speedup in query complexity, but also the number of arithmetic operations for executing the algorithm. This differs from previous quantum algorithms for convex optimization [5, 12] where the query complexity is improved, but the gate complexity is the same as that of the classical state-of-the-art algorithm [30, 31].

On the other hand, we prove that volume estimation with $\epsilon = \Theta(1)$ requires $\Omega(\sqrt{n})$ quantum queries to the membership oracle, ruling out the possibility of achieving exponential quantum speedup for volume estimation (see Theorem 6.1).

Technically, we refine a framework for achieving quantum speedups of simulated annealing algorithms, which might be of independent interest. Our framework applies to MCMC algorithms with cooling schedules that ensure each ratio in a telescoping product has bounded variance, an approach known as *Chebyshev cooling*. Furthermore, we propose several novel techniques when implementing this framework, including a theory of continuous-space quantum walks with rigorous bounds on discretization error, a quantum algorithm for nondestructive mean estimation, and a quantum algorithm for rounding convex bodies (as described further in Section 1.2 below).

We summarize our main results in Table 1.

1.2 Techniques

We now summarize the key technical aspects of our work.

	Classical bounds	Quantum bounds (this paper)
Query complexity	$\tilde{O}(n^4 + n^3/\epsilon^2)$ [16, 42], $\tilde{\Omega}(n^2)$ [48]	$\tilde{O}(n^{3.5} + n^{2.5}/\epsilon)$, $\Omega(\sqrt{n})$
Total complexity	$\tilde{O}((n^2 + C_{\text{MEM}}) \cdot (n^4 + n^3/\epsilon^2))$ [16, 42]	$\tilde{O}((n^2 + C_{\text{MEM}}) \cdot (n^{3.5} + n^{2.5}/\epsilon))$

Table 1: Summary of classical and quantum complexities of volume estimation, where n is the dimension of the convex body, ϵ is the multiplicative precision of volume estimation, and C_{MEM} is the cost of applying the membership oracle once. Total complexity refers to the cost of the of queries plus the number of additional arithmetic operations.

1.2.1 Classical volume estimation framework

Volume estimation by simulated annealing The volume of a convex body K can be estimated using simulated annealing. Consider the value

$$Z(a) := \int_K e^{-a\|x\|_2} dx, \quad (1.5)$$

where $\|x\|_2 := \sqrt{x_1^2 + \dots + x_n^2}$ is the ℓ_2 -norm of x . On the one hand, $Z(0) = \text{Vol}(K)$; on the other hand, because $e^{-\|x\|_2}$ decays exponentially fast with $\|x\|_2$, taking a large enough a ensures that the vast majority of $Z(a)$ concentrates near 0, so it can be well approximated by integrating on a small ball centered at 0. Therefore, a natural strategy is to consider a sequence $a_0 > a_1 > \dots > a_m$ with a_0 sufficiently large and a_m close to 0. We consider a simulated annealing algorithm that iteratively changes a_i to a_{i+1} and estimates $\text{Vol}(K)$ by the telescoping product

$$\text{Vol}(K) \approx Z(a_m) = Z(a_0) \prod_{i=0}^{m-1} \frac{Z(a_{i+1})}{Z(a_i)}. \quad (1.6)$$

In the i^{th} step, a random walk is used to sample the distribution over K with density proportional to $e^{-a_i\|x\|_2}$. Denote one such sample by X_i , and let $V_i := e^{(a_i - a_{i+1})\|X_i\|_2}$. Then we have

$$\mathbb{E}[V_i] = \int_K e^{(a_i - a_{i+1})\|x\|_2} \frac{e^{-a_i\|x\|_2}}{Z(a_i)} dx = \int_K \frac{e^{-a_{i+1}\|x\|_2}}{Z(a_i)} dx = \frac{Z(a_{i+1})}{Z(a_i)}. \quad (1.7)$$

Therefore, each ratio $\frac{Z(a_{i+1})}{Z(a_i)}$ can be estimated by taking i.i.d. samples X_i , computing the corresponding V_i s, and taking their average.

We can analyze this volume estimation algorithm by considering its behavior at three levels:

- 1) **High level:** The algorithm follows the simulated annealing framework described above, where the volume is estimated by a telescoping product as in (1.6).
- 2) **Middle level:** The number of i.i.d. samples used to estimate $\mathbb{E}[V_i]$ (a ratio in the telescoping product given by (1.7)) is small. Intuitively, the annealing schedule should be slow enough that V_i has small variance.
- 3) **Low level:** The random walk converges fast so that we can take each i.i.d. sample of V_i efficiently.

Classical volume estimation algorithm Our approach follows the classical volume estimation algorithm in [42] (see also Section 4.1). At the high level, it is a simulated annealing algorithm that estimates the volume of an alternative convex body K' produced by the *pencil construction*,

which intersects a cylinder $[0, 2R/r] \times K$ and a cone $C := \{x \in \mathbb{R}^{n+1} : x_0 \geq 0, \|x\|_2 \leq x_0\}$. This construction replaces the integral (1.5) by $Z(a) = \int_{K'} e^{-ax_0} dx$, which is easier to calculate.

Without loss of generality, assume that $r = 1$. Reference [42] proves that if we take the sequence $a_0 > \dots > a_m$ where $a_0 = 2n$, $a_{i+1} = (1 - \frac{1}{\sqrt{n}})a_i$, and $m = \tilde{O}(\sqrt{n})$, then $Z(a_0) \approx \int_C e^{-ax_0} dx$ and

$$\text{Var}[V_i^2] = O(1) \cdot \mathbb{E}[V_i]^2 \quad \forall i \in [m], \quad (1.8)$$

i.e., the variance of V_i is bounded by a constant multiple of the square of its expectation. Such a simulated annealing schedule is known as *Chebyshev cooling* (see also Section 4.3.3). This establishes the middle-level requirement of the simulated annealing framework. Furthermore, [42] proves that the product of the average of $\tilde{O}(\sqrt{n}/\epsilon^2)$ i.i.d. samples of V_i for all $i \in [m]$ gives an estimate of $\text{Vol}(K')$ within multiplicative error ϵ with high success probability.

At the low level, Ref. [42] uses a *hit-and-run walk* to sample X_i . In this walk, starting from a point p , we uniformly sample a line ℓ through p and move to a random point along the chord $\ell \cap K$ with density proportional to e^{-ax_0} (see Section 2.4 for details). Reference [41] analyzes the convergence of the hit-and-run walk, proving that it converges to the distribution over K with density proportional to e^{-ax_0} within $\tilde{O}(n^3)$ steps, assuming that K is *well-rounded* (i.e., $R/r = O(\sqrt{n})$).

Finally, Ref. [42] constructs an affine transformation that transforms a general K to be well-rounded with $\tilde{O}(n^4)$ classical queries to its membership oracle, hence removing the constraint of the previous steps that K be well-rounded. Because the affine transformation is an n -dimensional matrix-vector product, this introduces an overhead of $O(n^2)$ in the number of arithmetic operations.

Overall, the algorithm of Ref. [42] goes through $\tilde{O}(\sqrt{n})$ iterations, where each iteration takes $\tilde{O}(\sqrt{n}/\epsilon^2)$ i.i.d. samples, and each sample takes $\tilde{O}(n^3)$ steps of the hit-and-run walk. In total, the query complexity is

$$\tilde{O}(\sqrt{n}) \cdot \tilde{O}(\sqrt{n}/\epsilon^2) \cdot \tilde{O}(n^3) = \tilde{O}(n^4/\epsilon^2). \quad (1.9)$$

The number of additional arithmetic operations is $\tilde{O}(n^4/\epsilon^2) \cdot O(n^2) = \tilde{O}(n^6/\epsilon^2)$ due to the affine transformation for rounding the convex body.

1.2.2 Quantum algorithm for volume estimation

To speed up this approach using quantum computation, we develop several novel techniques. We now outline the main algorithmic ideas used in the quantum algorithm for volume estimation.

Theory of continuous-space quantum walks (Section 3) Our first step is to develop a quantum implementation of the low-level framework, i.e., to replace the classical hit-and-run walk by a quantum hit-and-run walk. However, although quantum walks in discrete spaces have been well studied (see for example [43, 58]), we are not aware of comparable results that can be used to analyze spectral properties and mixing times of quantum walks in continuous space. Here we describe a framework for continuous-space quantum walks that can be instantiated to give a quantum version of the hit-and-run walk. In particular, we formally define such walks and analyze their spectral properties, generalizing Szegedy's theory [58] to continuous spaces (Section 3.1). We also show a direct correspondence between the stationary distribution of a classical walk and a certain eigenvector of the corresponding quantum walk (Section 3.2).

To analyze mixing times of quantum walks, we use a version of Cheeger's inequality for Markov chains in continuous spaces. The well-known Cheeger inequality for discrete-space Markov chains [17] shows that the conductance is at most the square root of twice the spectral gap. While we

expect the continuous-space analog of this result ([Theorem 3.2](#)) to be folklore, we are not aware of a proof in the previous literature, so we provide one in [Section 3.3](#).

Previously, [\[39, Corollary 1.5\]](#) proved that the mixing time of a continuous-space Markov chain is at most the square of the inverse of its conductance. In the analysis of classical volume estimation algorithms, this result is used to bound the convergence rate after establishing conductance lower bounds. However, the cost of quantum walk algorithms depends on their spectral gaps, so we use Cheeger’s inequality instead of [\[39, Corollary 1.5\]](#).

Quantum volume estimation algorithm via simulated annealing ([Section 4.2](#)) Having described a quantum hit-and-run walk, the next step is to understand the high-level simulated annealing framework. Unlike classical Markov chains, quantum walks do not mix because they are unitary and hence do not approach a limiting quantum state at long times (see [Section 1.3.2](#)). Fortunately, Wocjan and Abeyesinghe [\[61\]](#) proposed a quantum MCMC simulated annealing framework that circumvents this difficulty (see [Section 2.2](#)). In this framework, we have a sequence of slowly-varying Markov chains, and the stationary state of the initial Markov chain can be efficiently prepared. In each iteration, fixed-point amplitude amplification [\[24\]](#) of the quantum walk operator is applied to transform the current stationary state to the next one.

We adapt the Chebyshev cooling schedule in [\[42\]](#) to the quantum framework in [\[61\]](#), where the quantum walk is carried out using our quantum hit-and-run walk in the convex body. The conductance lower bound together with the classical $\tilde{O}(n^3)$ mixing time imply that we can perform one step of fixed-point amplitude amplification using $\tilde{O}(n^{1.5})$ queries to O_K . Furthermore, the inner product between consecutive stationary states is a constant. These two facts ensure that the stationary state in each iteration can be prepared with $\tilde{O}(n^{1.5})$ queries to the membership oracle O_K . The total number of iterations is still $\tilde{O}(\sqrt{n})$, as in the classical case.

Quantum algorithm for nondestructive mean estimation ([Section 4.3.3](#)) In the next step, we consider how to estimate each ratio in the telescoping product at the middle level.

Classically, we estimate these ratios by sampling, but this presents a technical difficulty for the quantum approach: estimating the mean of the random variable V_i by measuring the quantum stationary state in the i^{th} iteration would ruin that state. To resolve this issue, we describe how to *nondestructively* estimate the mean within the quantum algorithm.

The basic amplitude estimation algorithm with unitary operation U and state $|\phi\rangle$ [\[10\]](#) is composed of a quantum Fourier transform (QFT), controlled U s on $|\phi\rangle$, and then an inverse QFT, giving an estimate of $\langle 0 | \langle 0 | U | 0 \rangle | \phi \rangle$. If we apply a unitary operation that computes a function of $\langle 0 | \langle 0 | U | 0 \rangle | \phi \rangle$ in an ancilla register and then uncompute the amplitude estimation circuit, then we get the state $|\phi\rangle$ back as well as the function value we need. Although the amplitude estimation only succeeds with probability $8/\pi^2$, this can be boosted to $1 - \delta$ for any $\delta > 0$ by executing $O(\log 1/\delta)$ copies simultaneously and taking their median.²

In our quantum volume estimation algorithm, we use a recently developed technique based on a quantum version of Chebyshev’s inequality [\[25\]](#) which approximates the mean of a random variable with *multiplicative error* using a number of quantum samples that is proportional to the ratio between the square root of the variance and the error, giving quadratic quantum speedup in both

²A recent paper of Harrow and Wei [\[26\]](#) independently shows how to perform nondestructive amplitude estimation. Although both approaches recover the input state $|\phi\rangle$, we estimate the mean by applying a unitary transformation on a separate register (after the amplitude estimation) and then applying the the inverse quantum Fourier transform, whereas Harrow and Wei directly apply a state restoration procedure inspired by [\[59\]](#) that first boosts the fidelity to $1/2$ and then repeats the projection onto the measured state until it is restored.

parameters compared to the classical counterpart (see [Section 2.3](#)). We apply the quantum Chebyshev inequality under the same compute-uncompute procedure. This gives a quadratic quantum speedup in ϵ^{-1} when estimating the $\mathbb{E}[V_i]$ in (1.7), so that $\tilde{O}(\sqrt{n}/\epsilon)$ copies of the stationary state suffice (see [Lemma 4.3](#)).

Quantum algorithm for rounding convex bodies ([Section 4.4](#)) The stationary state of the quantum hit-and-run walk can be prepared with $\tilde{O}(n^{1.5})$ queries to O_K only when K is well-rounded (i.e., $R/r = O(\sqrt{n})$). To apply the approach to general convex bodies, we give a quantum rounding algorithm.

Classically, Ref. [42] gave a rounding algorithm using $\tilde{O}(n^4)$ queries. This algorithm uses $\tilde{O}(n)$ iterations of simulated annealing, where an affine transformation ensures well-roundedness of a larger and larger convex body (the final iteration being the pencil construction K'). Specifically, in each iteration $\tilde{O}(1)$ points from the uniform distribution on the current convex body are sampled to rescale the 0th coordinate of the pencil construction, making it well-rounded (so that each sample takes $\tilde{O}(n^3)$ steps); once every n iterations, $\tilde{O}(n)$ samples are taken and the affine transformation is defined as the mapping that takes them to isotropic position.

Our quantum rounding algorithm follows this simulated annealing framework and applies all three technical ideas described above (at the **high**, **middle**, and **low levels**). In particular, the number of iterations is still $\tilde{O}(n)$ and the number of stationary states in each iteration is $\tilde{O}(n)$, but the cost of taking each uniform sample is reduced to $O(n^{1.5})$. As a result, we give a quantum algorithm for rounding convex bodies using only $\tilde{O}(n) \cdot \tilde{O}(n) \cdot O(n^{1.5}) = \tilde{O}(n^{3.5})$ quantum queries.

Error analysis of discretized hit-and-run walks ([Section 5](#)) To implement the quantum hit-and-run walk on a digital quantum computer, we propose a *discretized hit-and-run walk* and provide rigorous bounds on the discretization error. Specifically, we prove a lower bound on the conductance of a discrete hit-and-run walk that approximates the continuous hit-and-run walk. Our proof addresses a gap in previous (classical) studies by giving a rigorous analysis of discretization, which might be of independent interest to the classical algorithm design community.

The basic idea of the discretization is to represent the coordinates with rational numbers, discretizing the space \mathbb{R}^n . We approximate K by the set of discretized points that lie within it and define the Markov chain on these points (see [Section 5.1](#)). For the hit-and-run walk, we use a two-level discretization: the hit-and-run process is performed with a coarser discretization and then a point in a finer discretization of the coarse grid is chosen uniformly at random as the actual point to jump to. This ensures that the starting and ending points (in the coarser discretization) of one jump are far from the boundary so that a small perturbation does not change the length of the chord induced by the two points significantly. Then the discrete conductance can be bounded by bounding the distance between the discrete and continuous transition probabilities as well as the distance between the discrete and continuous subset measures (see [Section 5.2](#)). In [Section 5.3](#), we prove that the quantum gate complexity of implementing the discretized quantum hit-and-run walk is $\tilde{O}(n)$, the same overhead as for implementing classical hit-and-run walks.

Summary Our quantum volume estimation algorithm can be summarized as follows.

- 1) **High level:** The quantum algorithm follows a simulated annealing framework using a quantum MCMC method [61], where the volume is estimated by a telescoping product (as in (1.6)); the number of iterations is $\tilde{O}(\sqrt{n})$.

- 2) Middle level: We estimate the $\mathbb{E}[V_i]$ in (1.7), a ratio in the telescoping product, using the nondestructive version of the quantum Chebyshev inequality [25]. This takes $\tilde{O}(\sqrt{n}/\epsilon)$ implementations of the quantum hit-and-run walk operators.
- 3) Low level: If the convex body K is well-rounded (i.e., $R/r = O(\sqrt{n})$), each quantum hit-and-run walk operator can be implemented using $\tilde{O}(n^{1.5})$ queries to the membership oracle O_K in (1.3).

Finally, we give a quantum algorithm that constructs an affine transformation from a general convex body K to a corresponding well-rounded one using $\tilde{O}(n^{3.5})$ quantum queries to O_K , hence removing the well-roundedness constraint. Because the affine transformation is an n -dimensional matrix-vector product, it introduces an overhead of $O(n^2)$ in the number of arithmetic operations (just as in the classical rounding algorithm).

Overall, our quantum volume estimation algorithm has $\tilde{O}(\sqrt{n})$ iterations, each iteration implements $\tilde{O}(\sqrt{n}/\epsilon)$ quantum hit-and-run walks, and each quantum hit-and-run walk uses $\tilde{O}(n^{1.5})$ queries. Rounding the convex body takes $\tilde{O}(n^{3.5})$ queries. Thus the quantum query complexity is

$$\tilde{O}(n^{3.5}) + \tilde{O}(\sqrt{n}) \cdot \tilde{O}(\sqrt{n}/\epsilon) \cdot \tilde{O}(n^{1.5}) = \tilde{O}(n^{3.5} + n^{2.5}/\epsilon). \quad (1.10)$$

The number of additional arithmetic operations is $\tilde{O}(n^{3.5} + n^{2.5}/\epsilon) \cdot O(n^2) = \tilde{O}(n^{5.5} + n^{4.5}/\epsilon)$ due to the affine transformation for rounding the convex body.

Figure 1 summarizes the techniques in our quantum algorithm. The volume estimation and rounding algorithms are given as Algorithm 3 and Algorithm 4, respectively, in Section 4.

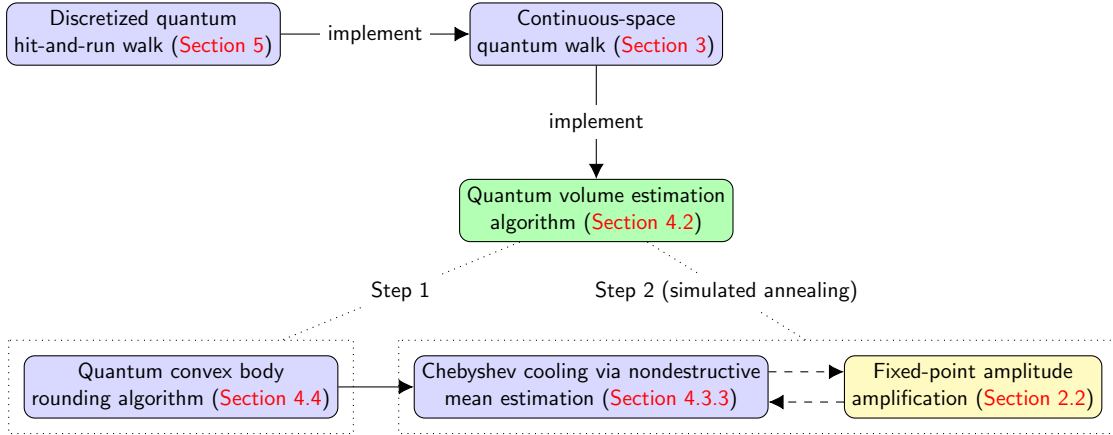


Figure 1: The structure of our quantum volume estimation algorithm. The four purple frames represent the four novel techniques that we propose, the yellow frame represents the known technique from [24], and the green frame at the center represents our quantum algorithm.

1.2.3 Quantum lower bound (Section 6)

While we do not know whether the query complexity of our algorithm is tight, we prove that volume estimation requires $\Omega(\sqrt{n})$ quantum queries to a membership oracle, ruling out the possibility of exponential quantum speedup. We establish this lower bound by a reduction to search: for a hyper-rectangle $K = \times_{i=1}^n [0, 2^{s_i}]$ specified by a binary string $s = (s_1, \dots, s_n) \in \{0, 1\}^n$ with $|s| = 0$ or 1 , we prove that a membership query to K can be simulated by a query to s . Thus, since $\text{Vol}(K) = 2$ if and only if $|s| = 1$, the $\Omega(\sqrt{n})$ quantum lower bound on search [8] applies to volume estimation.

1.3 Related work

While our paper gives the first quantum algorithm for volume estimation, classical volume estimation algorithms have been well-studied, as we review in [Section 1.3.1](#). Our quantum algorithm builds upon quantum analogs of Markov chain Monte Carlo methods that we review in [Section 1.3.2](#).

1.3.1 Classical volume estimation algorithms

There is a rich literature on classical algorithms for estimating volumes of convex bodies (e.g., see the surveys [\[34, 60\]](#)). The general approach is to consider a sequence of random walks inside the convex body K whose stationary distributions converge quickly to the uniform distribution on K . Applying simulating annealing to this sequence of walks (as in [Section 1.2](#)), the volume of K can be approximated by a telescoping product.

The first polynomial-time algorithm for estimating volumes of convex bodies was given by Dyer et al. [\[19\]](#). It uses a *grid walk* in which the convex body K is approximated by a grid mesh K_{grid} of spacing δ (i.e., K_{grid} contains the points in K whose coordinates are integer multiples of δ). The walk proceeds as follows:

1. Pick a grid point y uniformly at random from the neighbors of the current point x .
2. If $y \in K_{\text{grid}}$, go to y ; else stay at x .

Reference [\[19\]](#) proved that for a properly chosen δ , the grid walk converges to the uniform distribution on K_{grid} in $\tilde{O}(n^{23})$ steps, and that $\delta^n |K_{\text{grid}}|$ is a good approximation of $\text{Vol}(K)$ (in the sense of [\(1.4\)](#)). Subsequently, more refined analysis of the grid walk improved its cost to $\tilde{O}(n^8)$ [\[6, 18, 38\]](#). However, this is still inefficient in practice.

Intuitively, the grid walk converges slowly because each step only moves locally in K . Subsequent work improved the complexity by considering other types of random walk. These improvements mainly use two types of walk: the *hit-and-run walk* and the *ball walk*. In this paper, we use the hit-and-run walk (see also [Section 2.4](#)), which behaves as follows:

1. Pick a uniformly distributed random line ℓ through the current point p .
2. Move to a uniformly random point along the chord $\ell \cap K$.

Reference [\[54\]](#) proved that the stationary distribution of the hit-and-run walk is the uniform distribution on K . Regarding the convergence of the hit-and-run walk, [\[37\]](#) showed that it mixes in $\tilde{O}(n^3)$ steps from a warm start after appropriate preprocessing, and [\[41\]](#) subsequently proved that the hit-and-run walk mixes rapidly from any interior starting point (see also [Theorem 2.4](#)). Under the simulated annealing framework, the hit-and-run walk gives the state-of-the-art volume estimation algorithm with query complexity $\tilde{O}(n^4)$ [\[40, 42\]](#). Our quantum volume estimation algorithm can be viewed as a quantization of this classical hit-and-run algorithm.

Given a radius parameter δ , the ball walk is defined as follows:

1. Pick a uniformly random point y from the ball of radius δ centered at the current point x .
2. If $y \in K$, go to y ; else stay at x .

Lovász and Simonovits [\[39\]](#) proved that the ball walk mixes in $\tilde{O}(n^6)$ steps. Reference [\[27\]](#) subsequently improved the mixing time to $\tilde{O}(n^3)$ starting from a warm start, giving a total query complexity of $\tilde{O}(n^5)$ for the volume estimation problem.

Technically, the analysis of the ball walk relies on a central conjecture in convex geometry, the Kannan-Lovász-Simonovits (KLS) conjecture (see [\[34\]](#)). The KLS conjecture states that

the Cheeger constant of any log-concave density is achieved to within a universal, dimension-independent constant factor by a hyperplane-induced subset, where the Cheeger constant is the minimum ratio between the measure of the boundary of a subset to the measure of the subset or its complement, whichever is smaller. Although this quantity is conjectured to be a constant, the best known upper bound is only $O(n^{1/4})$ [32], which can be used to prove that the ball walk converges in $\tilde{O}(n^{2.5})$ steps from a warm start. If the KLS conjecture were true, the ball walk would converge in $\tilde{O}(n^2)$ steps from a warm start, implying a volume estimation algorithm with query complexity $\tilde{O}(n^3)$ for arbitrary convex bodies.

If $R/r = O(\sqrt{n})$, then we say the body is *well-rounded*. In that special case, a recent breakthrough by Cousins and Vempala [15, 16] proved the KLS conjecture for Gaussian distributions. In other words, they established a volume estimation algorithm with query complexity $\tilde{O}(n^3)$ in the well-rounded case.

Table 2 summarizes classical algorithms for volume estimation.

Method	State-of-the-art query complexity	Restriction on the convex body
Grid walk	$\tilde{O}(n^8)$ [18]	General ($R/r = \text{poly}(n)$)
Hit-and-run walk	$\tilde{O}(n^4)$ [40, 42]	General ($R/r = \text{poly}(n)$)
Ball walk	$\tilde{O}(n^3)$ [15, 16]	Well-rounded ($R/r = O(\sqrt{n})$)

Table 2: Summary of classical methods for estimating the volume of a convex body $K \subset \mathbb{R}^n$, where R, r are the radii of the balls centered at the origin that contain and are contained by the convex body, respectively.

1.3.2 Quantum Markov chain Monte Carlo methods

The performance of Markov chain Monte Carlo (MCMC) methods is determined by the rate of convergence to their stationary distributions (i.e., the mixing time). Suppose we have a reversible, ergodic Markov chain with unique stationary distribution π . Let π_k denote the distribution obtained by applying the Markov chain for k steps from some arbitrary initial state. It is well-known (see for example [35]) that $O(\frac{1}{\Delta} \log(1/\epsilon))$ steps suffice to ensure $\|\pi_k - \pi\| \leq \epsilon$, where Δ is the spectral gap of the Markov chain.

Many authors have studied quantum analogs of Markov chains (in both continuous [22] and discrete [1, 4, 58] time) and their mixing properties. While a quantum walk is a unitary process and hence does not converge to a stationary distribution, one can define notions of quantum mixing time by choosing the number of steps at random or by adding decoherence [1, 3, 4, 13, 14, 49, 50], and compare them to the classical mixing time. Note that distribution sampled by such a process may or not be the same as the stationary distribution π of the corresponding classical Markov process, depending on the structure of the process and the notion of mixing. It is also natural to ask how efficiently we can prepare a quantum state close to

$$|\pi\rangle := \sum_x \sqrt{\pi_x} |x\rangle \tag{1.11}$$

(which can be viewed as a “quantum sample” from π). However, it is unclear how to do this efficiently in general, even in cases where a corresponding classical Markov process mixes quickly; in particular, a generic quantum algorithm for this task could be used to solve graph isomorphism [2, Section 8.4].

It is also possible to achieve quantum speedup of MCMC methods by not demanding speedup of the mixing time of each separate Markov chain, but only for the procedure as a whole. In particular, MCMC methods are often implemented by simulated annealing algorithms where the final output is a telescoping product of values at different temperatures. From this perspective, Somma et al. [9, 55, 56] used quantum walks to accelerate classical simulated annealing processes by exploiting the quantum Zeno effect, using measurements implemented by phase estimation of the quantum walk operators of these Markov chains.

Our quantum volume estimation algorithm is most closely related to work of Wocjan and Abeyesinghe [61], which achieves complexity $\tilde{O}(1/\sqrt{\Delta})$ for preparing the final stationary distribution of a sequence of slowly varying Markov chains, where Δ is the minimum of their spectral gaps. Their quantum algorithm transits between the stationary states of consecutive Markov chains by fixed-point amplitude amplification [24], which is implemented by amplitude estimation with $\tilde{O}(1/\sqrt{\Delta})$ implementations of the quantum walk operators of these Markov chains (see Section 2.2 for more details).

Our simulated annealing procedure preserves the slowly-varying property, so we adopt the framework of [61] in our algorithm for volume estimation (see Section 4.3.2). We develop several novel techniques (described in Section 1.2) that allow us to implement the steps of this framework efficiently. Note that the slowly-varying property also facilitates other frameworks that give efficient adiabatic [2] or circuit-based [47] quantum algorithms for generating quantum samples of the stationary state.

Previous work has mainly applied these quantum simulated annealing algorithms to estimating partition functions of discrete systems. Given an inverse temperature $\beta > 0$ and a classical Hamiltonian $H: \Omega \rightarrow \mathbb{R}$ where Ω is a finite space, the goal is to estimate the partition function

$$Z(\beta) := \sum_{x \in \Omega} e^{-\beta H(x)} \quad (1.12)$$

within multiplicative error $\epsilon > 0$. Reference [62] gave a quantum algorithm that achieves quadratic quantum speedup with respect to both mixing time and accuracy.

The classical algorithm that Ref. [62] quantizes uses $\tilde{O}(\log |\Omega|)$ annealing steps to ensure that each ratio $Z(\beta_{i+1})/Z(\beta_i)$ is bounded. In fact, it is possible to relax this requirement and use a cooling schedule with only $\tilde{O}(\sqrt{\log |\Omega|})$ steps such that the variance of each ratio is bounded, so its mean can be well-approximated by Chebyshev's inequality; this is exactly the Chebyshev cooling technique [57] introduced in Section 1.2 (see also Section 4.3.3). Reference [45] improves upon [62] using Chebyshev cooling; more recently, Harrow and Wei [26] further quadratically improved the spectral gap dependence of the estimation of the partition function.

1.4 Open questions

This work leaves several natural open questions for future investigation. In particular:

- Can we improve the complexity of our quantum volume estimation algorithm? The current gap between the upper bound $\tilde{O}(n^{3.5} + n^{2.5}/\epsilon)$ and the lower bound $\Omega(\sqrt{n})$ is large; possible improvements might result from designing a shorter simulated annealing schedule, giving better analysis of the conductance of the hit-and-run walk, or even using other types of walks.
- Can we prove better quantum query lower bounds on volume estimation? Note that classically there is an $\tilde{\Omega}(n^2)$ query lower bound [48].

- Can we give faster quantum algorithms for volume estimation in some special circumstances? For instance, volume estimation of well-rounded convex bodies only takes $\tilde{O}(n^3)$ queries [16] (see also Section 1.3.1), and the volume of polytopes with m faces can be estimated with only $\tilde{O}(mn^{2/3})$ queries [33]. Specifically, it is a natural question to ask whether the ball walk in [16] or the Riemannian Hamiltonian Monte Carlo (RHMC) method in [33] can be implemented by continuous-space quantum walks (and their discretizations).
- Can we apply our simulated annealing framework to solve other problems? As a concrete example, it may be of interest to check whether our framework can recover the results of Ref. [26] on estimating the partition functions in counting problems.

Organization We review necessary background in Section 2. We describe the theory of continuous-space quantum walks in Section 3. In Section 4, we first review the classical state-of-the-art volume estimation algorithm in Section 4.1, and then give our quantum algorithm for estimating volumes of well-rounded convex bodies in Section 4.2. The proofs of our quantum algorithm are given in Section 4.3, and the well-rounded condition is further removed by a quantum convex body rounding algorithm in Section 4.4. Next, we propose our discretized hit-and-run walk in Section 5. We conclude with our quantum lower bound on volume estimation in Section 6.

2 Preliminaries

2.1 Classical and quantum walks

A Markov chain over a finite state space Ω is a sequence of random variables X_0, X_1, \dots such that for each $i \in \mathbb{N}$, the probability of transition to the next state $y \in \Omega$,

$$\Pr[X_{i+1} = y \mid X_i = x, X_{i-1} = x_{i-1}, \dots, X_0 = x_0] = \Pr[X_{i+1} = y \mid X_i = x] =: p_{x \rightarrow y} \quad (2.1)$$

only depends on the present state $x \in \Omega$. The Markov chain can be represented by the transition probabilities $p_{x \rightarrow y}$ satisfying $\sum_y p_{x \rightarrow y} = 1$. For each $i \in \mathbb{N}$, we denote by π_i the distribution over Ω with density $\pi_i(x) = \Pr[X_i = x]$. A *stationary distribution* π satisfies $\sum_{x \in \Omega} p_{x \rightarrow y} \pi(x) = \pi(y)$. A Markov chain is *reversible* if $\pi_i(x) p_{x \rightarrow y} = \pi_i(y) p_{y \rightarrow x}$ for each $i \in \mathbb{N}$ and $x, y \in \Omega$. The *conductance* of a reversible Markov chain is defined as

$$\Phi := \inf_{S \subseteq \Omega} \frac{\sum_{x \in S} \sum_{y \in \Omega/S} \pi(x) p_{x \rightarrow y}}{\min\{\sum_{x \in S} \pi(x), \sum_{x \in \Omega/S} \pi(x)\}}. \quad (2.2)$$

The theory of discrete-time quantum walks has also been well developed. Given a classical reversible Markov chain on Ω with transition probability p , we define a unitary operator U_p on $\mathbb{C}^{|\Omega|} \otimes \mathbb{C}^{|\Omega|}$ such that

$$U_p |x\rangle |0\rangle = |x\rangle |p_x\rangle, \text{ where } |p_x\rangle := \sum_{y \in \Omega} \sqrt{p_{x \rightarrow y}} |y\rangle. \quad (2.3)$$

The quantum walk is then defined as [58]

$$W_p := S(2U_p(I_\Omega \otimes |0\rangle\langle 0|)U_p^\dagger - I_\Omega \otimes I_\Omega), \quad (2.4)$$

where I_Ω is the identity map on $\mathbb{C}^{|\Omega|}$ and $S := \sum_{x, y \in \Omega} |x, y\rangle\langle y, x| = S^\dagger$ is the swap gate on $\mathbb{C}^{|\Omega|} \otimes \mathbb{C}^{|\Omega|}$.

To understand the quantum walk, it is essential to analyze the spectrum of W_p . First, observing that $W_p = S(2\Pi - I)$ where $\Pi = U_p(I_\Omega \otimes |0\rangle\langle 0|)U_p^\dagger = \sum_{x \in \Omega} |x\rangle\langle x| \otimes |p_x\rangle\langle p_x|$ projects onto the span of the states $|x\rangle \otimes |p_x\rangle$, we consider the eigenvector $|\lambda\rangle$ of $\Pi S \Pi$ with eigenvalue λ . We have $\Pi S \Pi = \sum_{x \in \Omega} D_{xy} |x\rangle\langle y| \otimes |p_x\rangle\langle p_y|$ where $D_{xy} := \sqrt{p_{x \rightarrow y} p_{y \rightarrow x}}$. Since $W_p |\lambda\rangle = S |\lambda\rangle$ and $W_p S |\lambda\rangle = 2\lambda S |\lambda\rangle - |\lambda\rangle$, the subspace $\text{span}\{|\lambda\rangle, S |\lambda\rangle\}$ is invariant under W_p . The eigenvalues of W_p within this subspace are $\lambda \pm i\sqrt{1 - \lambda^2} = e^{\pm i \arccos \lambda}$. For more details, see [58].

The phase gap $\arccos \lambda \geq \sqrt{2(1 - \lambda)} \geq \sqrt{2\delta}$, where δ is the spectral gap of D . Therefore, applying phase estimation using $O(1/\sqrt{\delta})$ calls to W_p suffices to distinguish the state corresponding to the stationary distribution of the classical Markov chain from the other eigenvectors.

2.2 Quantum speedup of MCMC sampling via simulated annealing

Consider a Markov chain with spectral gap Δ and stationary distribution π . Classically, it takes $\Theta(\frac{1}{\Delta} \log(1/\epsilon \pi_{\min}))$ steps to sample from a distribution $\tilde{\pi}$ such that $\|\tilde{\pi} - \pi\| \leq \epsilon$, where $\pi_{\min} := \min_i \pi_i$. Quantumly, [61] proved the following result about a sequence of slowly varying Markov chains:

Theorem 2.1 ([61, Theorem 2]). *Let p_1, \dots, p_r be the transition probabilities of r Markov chains with stationary distributions π_1, \dots, π_r , spectral gaps $\delta_1, \dots, \delta_r$, and quantum walk operators W_1, \dots, W_r , respectively; let $\Delta := \min\{\delta_1, \dots, \delta_r\}$. Assume that $|\langle \pi_i | \pi_{i+1} \rangle|^2 \geq p$ for some $0 < p < 1$ and all $i \in [r - 1]$, and assume that we can efficiently prepare the state $|\pi_1\rangle$ (where each $|\pi_i\rangle$ is a quantum sample defined as in (1.11)). Then, for any $0 < \epsilon < 1$, there is a quantum algorithm that produces a quantum state $|\tilde{\pi}_r\rangle$ such that $\| |\tilde{\pi}_r\rangle - |\pi_r\rangle \| \leq \epsilon$, using $\tilde{O}(r/p\sqrt{\Delta})$ steps of the quantum walk operators W_1, \dots, W_r .*

Their quantum algorithm produces the states $|\pi_1\rangle, \dots, |\pi_r\rangle$ sequentially, and can do so rapidly if consecutive states have significant overlap and the walks mix rapidly. Intuitively, this is achieved by amplitude amplification. However, to avoid overshooting, the paper uses a variant of standard amplitude amplification, known as $\pi/3$ -amplitude amplification [24], that we now review.

Given two states $|\psi\rangle$ and $|\phi\rangle$, we let $\Pi_\psi := |\psi\rangle\langle\psi|$, $\Pi_\psi^\perp := I - \Pi_\psi$, $\Pi_\phi := |\phi\rangle\langle\phi|$, and $\Pi_\phi^\perp := I - \Pi_\phi$. Define the unitaries

$$R_\psi := \omega \Pi_\psi + \Pi_\psi^\perp, \quad R_\phi := \omega \Pi_\phi + \Pi_\phi^\perp \quad \text{where } \omega = e^{i\frac{\pi}{3}}. \quad (2.5)$$

Given $|\langle\psi|\phi\rangle|^2 \geq p$, it can be shown that $|\langle\phi|R_\psi R_\phi|\psi\rangle|^2 \geq 1 - (1 - p)^3$. Recursively, one can establish the following:

Lemma 2.1 ([61, Lemma 1]). *Let $|\psi\rangle$ and $|\phi\rangle$ be two quantum states with $|\langle\psi|\phi\rangle|^2 \geq p$ for some $0 < p \leq 1$. Define the unitaries R_ψ, R_ϕ as in (2.5) and the unitaries U_m recursively as follows:*

$$U_0 = I, \quad U_{m+1} = U_m R_\psi U_m^\dagger R_\phi U_m. \quad (2.6)$$

Then we have

$$|\langle\phi|U_m|\psi\rangle|^2 \geq 1 - (1 - p)^{3^m}, \quad (2.7)$$

and the unitaries in $\{R_\psi, R_\psi^\dagger, R_\phi, R_\phi^\dagger\}$ are used at most 3^m times in U_m .

Taking $m = \lceil \log_3(\ln(1/\epsilon)/p) \rceil$, the inner product between $|\phi\rangle$ and $U_m|\psi\rangle$ in (2.7) is at least $1 - \epsilon$, and we use $3^m = O(\log(1/\epsilon)/p)$ unitaries from the set $\{R_\psi, R_\psi^\dagger, R_\phi, R_\phi^\dagger\}$.

To establish [Theorem 2.1](#) by [Lemma 2.1](#), it remains to construct the unitaries $R_i := \omega|\pi_i\rangle\langle\pi_i| + (I - |\pi_i\rangle\langle\pi_i|)$. In [\[61\]](#), this is achieved by phase estimation of the quantum walk operator W_i with precision $\sqrt{\Delta}/2$. Recall that if a classical Markov chain has spectral gap δ , then the corresponding quantum walk operator has phase gap of at least $2\sqrt{\delta}$ (see [Section 2.1](#)). Therefore, phase estimation with precision $\sqrt{\Delta}/2$ suffices to distinguish between $|\pi_i\rangle$ and other eigenvectors of W_i . As a result, we can take

$$R_i = \text{PhaseEst}(W_i)^\dagger (I \otimes (\omega|\pi_i\rangle\langle\pi_i| + (I - |\pi_i\rangle\langle\pi_i|))) \text{PhaseEst}(W_i). \quad (2.8)$$

2.3 Quantum Chebyshev inequality

Assume we are given a unitary U such that

$$U|0\rangle|0\rangle = \sqrt{p}|0\rangle|\phi\rangle + |0^\perp\rangle, \quad (2.9)$$

where $|\phi\rangle$ is a normalized pure state and $(\langle 0| \otimes I)|0^\perp\rangle = 0$. If we measure the output state, we get 0 in the first register with probability p ; by the Chernoff bound, it takes $\Theta(1/\epsilon^2)$ samples to estimate p within ϵ with high success probability. However, there is a more efficient quantum algorithm, called *amplitude estimation* [\[10\]](#), that estimates the value of p using only $O(1/\epsilon)$ calls to U :

Theorem 2.2 ([\[10, Theorem 12\]](#)). *Given U satisfying [\(2.9\)](#), the amplitude estimation algorithm in [Figure 2](#) outputs $\tilde{p} \in [0, 1]$ such that*

$$|\tilde{p} - p| \leq \frac{2\pi\sqrt{p(1-p)}}{M} + \frac{\pi^2}{M^2} \quad (2.10)$$

with success probability at least $8/\pi^2$, using M calls to U and U^\dagger .

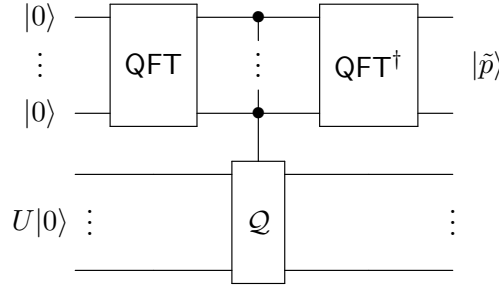


Figure 2: The quantum circuit for amplitude estimation.

Here QFT denotes the quantum Fourier transform over \mathbb{Z}_M and $\mathcal{Q} := -US_0U^\dagger S_1$ where S_0 and S_1 are reflections about $|0\rangle$ and the target state, respectively. The controlled- \mathcal{Q} gate in [Figure 2](#) denotes the operation $\sum_{j=0}^{M-1} |j\rangle\langle j| \otimes \mathcal{Q}^j$.

In [\(2.10\)](#), if we take $M = \lceil 2\pi(\frac{2\sqrt{p}}{\epsilon} + \frac{1}{\sqrt{\epsilon}}) \rceil = O(1/\epsilon)$, we get

$$|\tilde{p} - p| \leq \frac{2\pi\sqrt{p(1-p)}}{2\pi} \epsilon + \frac{\pi^2}{4\pi^2} \epsilon^2 \leq \frac{\epsilon}{2} + \frac{\epsilon}{4} \leq \epsilon.$$

Furthermore, the success probability $8/\pi^2$ can be boosted to $1 - \nu$ by executing the algorithm $\Theta(\log 1/\nu)$ times and taking the median of the estimates.

Amplitude estimation can be generalized from estimating a single probability $p \in [0, 1]$ to estimating the expectation of a random variable. Assume that U is a unitary acting on $\mathbb{C}^S \otimes \mathbb{C}^{|\Omega|}$ such that

$$U|0\rangle|0\rangle = \sum_{x \in \Omega} \sqrt{p_x} |\psi_x\rangle |x\rangle \quad (2.11)$$

where $S \in \mathbb{N}$ and $\{|\psi_x\rangle : x \in \Omega\}$ are unit vectors in \mathbb{C}^S . Let

$$\mu_U := \sum_{x \in \Omega} p_x x, \quad \sigma_U^2 := \sum_{x \in \Omega} p_x (x - \mu_U)^2 \quad (2.12)$$

denote the expectation and variance of the random variable, respectively. Several quantum algorithms have given speedups for estimating μ_U . Specifically, Ref. [45] showed how to estimate μ_U within additive error ϵ by $\tilde{O}(\sigma_U/\epsilon)$ calls to U and U^\dagger . Given an upper bound H and a lower bound $L > 0$ on the random variable, Ref. [36] showed how to estimate μ_U with multiplicative error ϵ using $\tilde{O}(\sigma_U/\epsilon\mu_U \cdot H/L)$ calls to U and U^\dagger . More recently, Ref. [25] mutually generalized these results and proposed a significantly better quantum algorithm:

Theorem 2.3 ([25, Theorem 3.5]). *There is a quantum algorithm that, given a quantum sampler U as in (2.11), an integer Δ_U , a value $H > 0$, and two reals $\epsilon, \delta \in (0, 1)$, outputs an estimate $\tilde{\mu}_U$. If $\Delta_U \geq \sqrt{\sigma_U^2 + \mu_U^2}/\mu_U$ and $H > \mu_U$, then $|\tilde{\mu}_U - \mu_U| \leq \epsilon\mu_U$ with probability at least $1 - \delta$, and the algorithm uses $\tilde{O}(\Delta_U/\epsilon \cdot \log^3(H/\mu_U) \log(1/\delta))$ calls to U and U^\dagger .*

The quantum algorithm works as follows. First, assume $\Omega \subseteq [L, H]$ for given real numbers $L, H \geq 0$, there is a basic estimation algorithm (denoted **BasicEst**) that estimates $H^{-1}\mu_U$ up to ϵ -multiplicative error:

Algorithm 1: BasicEst: the basic estimation algorithm.

Input: A quantum sampler U acting on $\mathbb{C}^S \otimes \mathbb{C}^{|\Omega|}$, interval $[L, H]$, precision parameter $\epsilon \in (0, 1)$, failure parameter $\delta \in (0, 1)$.

Output: ϵ -multiplicative approximation of $H^{-1}\mu_U$.

1 Use controlled rotation to implement a unitary $R_{L,H}$ acting on $\mathbb{C}^{|\Omega|} \otimes \mathbb{C}^2$ such that for all

$$x \in \Omega, R_{L,H}|x\rangle|0\rangle = \begin{cases} |x\rangle(\sqrt{1 - \frac{x}{H}}|0\rangle + \sqrt{\frac{x}{H}}|1\rangle) & \text{if } L \leq x < H; \\ |x\rangle|0\rangle & \text{otherwise} \end{cases};$$

2 Let $V = (I_S \otimes R_{L,H})(U \otimes I_2)$ and $\Pi = I_S \otimes I_\Omega \otimes |1\rangle\langle 1|$;

3 **for** $i = 1, \dots, \Theta(\log(1/\delta))$ **do**

4 Compute \tilde{p}_i by **Theorem 2.2** with $U \leftarrow V$, $S_1 \leftarrow \Pi$, and $M \leftarrow \Theta(1/\epsilon\sqrt{H^{-1}\mu_U})$;

5 **Return** $\tilde{p} = \text{median}\{\tilde{p}_1, \dots, \tilde{p}_{\Theta(\log(1/\delta))}\}$.

However, usually the bounds L and H are not explicitly given. In this case, Ref. [25] considered the truncated mean $\mu_{<b}$ defined by replacing the outcomes larger than b with 0. The paper then runs **Algorithm 1** (**BasicEst**) to estimate $\mu_{<b}/b$. A crucial observation is that $\sqrt{b/\mu_{<b}}$ is smaller than Δ_U for large values of b , and it becomes larger than Δ_U when $b \approx \mu_U \Delta_U^2$. As a result, by repeatedly running **BasicEst** with Δ_U quantum samples, and applying $O(\log(H/L))$ steps of a binary search on the values of b , the first non-zero value is obtained when $b/\Delta_U^2 \approx \mu_U$. In [25], more precise truncation means are used to improve the precision of the result to $\tilde{O}(1/\epsilon)$ and remove the dependence on L .

Note that the quantum algorithm for [Theorem 2.3](#) only relies on BasicEst. This is crucial when we estimate the mean of our simulated annealing algorithm in different iterations *nondestructively* (see [Section 4.2](#) for more details).

2.4 Hit-and-run walk

As introduced in [Section 1.3.1](#), there are various of random walks that mix fast in a convex body K , such as the grid walk [[19](#)] and the ball walk [[16](#), [39](#)]. In this paper, we mainly use the *hit-and-run walk* [[37](#), [41](#), [54](#)]. It is defined as follows:

1. Pick a uniformly distributed random line ℓ through the current point p .
2. Move to a uniform random point along the chord $\ell \cap K$.

For any two points $p, q \in K$, we let $\ell(p, q)$ denote the length of the chord in K through p and q . Then the transition probability of the hit-and-run walk is determined by the following lemma:

Lemma 2.2 ([\[37, Lemma 3\]](#)). *If the current point of the hit-and-run walk is u , then the density function of the distribution of the next point $x \in K$ is*

$$p_u(x) = \frac{2}{nv_n} \cdot \frac{1}{\ell(u, x)|x - u|^{n-1}}, \quad (2.13)$$

where $v_n := \pi^{\frac{n}{2}}/\Gamma(1+\frac{n}{2})$ is the volume of the n -dimensional unit ball. In other words, the probability that the next point is in a (measurable) set $A \subseteq K$ is

$$P_u(A) = \int_A \frac{2}{nv_n} \cdot \frac{1}{\ell(u, x)|x - u|^{n-1}} dx. \quad (2.14)$$

In general, we can also define a hit-and-run walk with a given density. Let f be a density function in \mathbb{R}^n . For any point $u, v \in \mathbb{R}^n$, we let

$$\mu_f(u, v) := \int_0^1 f((1-t)u + tv) dt. \quad (2.15)$$

For any line ℓ , let ℓ^+ and ℓ^- be the endpoints of the chord $\ell \cap K$ (with $+$ and $-$ assigned arbitrarily). The density f specifies the following hit-and-run walk:

1. Pick a uniformly distributed random line ℓ through the current point p .
2. Move to a random point x along the chord $\ell \cap K$ with density $\frac{f(x)}{\mu_f(\ell^-, \ell^+)}$.

Let π_K denote the uniform distribution over K . Reference [[54](#)] proves that the stationary distribution of the hit-and-run walk with uniform density is π_K . Furthermore, Ref. [[41](#)] proves that the hit-and-run walk mixes rapidly from any initial distribution:

Theorem 2.4 ([\[41, Theorem 1.1\]](#)). *Let K be a convex body that satisfies (1.2): $B_2(0, r) \subseteq K \subseteq B_2(0, R)$. Let σ be a starting distribution and let $\sigma^{(m)}$ be the distribution of the current point after m steps of the hit-and-run walk in K . Let $\epsilon > 0$, and suppose that the density function $d\sigma/d\pi_K$ is upper bounded by M except on a set S with $\sigma(S) \leq \epsilon/2$. Then for any*

$$m > 10^{10} \frac{n^2 R^2}{r^2} \ln \frac{M}{\epsilon}, \quad (2.16)$$

the total variation distance between $\sigma^{(m)}$ and π_K is less than ϵ .

Theorem 2.4 can also be generalized to exponential distributions on K :

Theorem 2.5 ([41, Theorem 1.3]). *Let $K \subset \mathbb{R}^n$ be a convex body and let f be a density supported on K that is proportional to $e^{-a^T x}$ for some vector $a \in \mathbb{R}^n$. Assume that the level set of f of probability $1/8$ contains a ball of radius r , and $\mathbb{E}_f(|x - z_f|^2) \leq R^2$, where z_f is the centroid of f . Let σ be a starting distribution and let σ^m be the distribution for the current point after m steps of the hit-and-run walk applied to f . Let $\epsilon > 0$, and suppose that the density function $\frac{d\sigma}{d\pi_f}$ is upper bounded by M except on a set S with $\sigma(S) \leq \frac{\epsilon}{2}$. Then for*

$$m > 10^{30} \frac{n^2 R^2}{r^2} \ln^5 \frac{MnR}{r\epsilon},$$

the total variation distance between σ^m and π_f is less than ϵ .

Roughly speaking, the proofs of **Theorem 2.4** and **Theorem 2.5** have two steps. First, for any random walk on a continuous domain Ω with transition probability p , stationary distribution π , and initial distribution σ , we define its conductance (which generalizes the discrete case in Eq. (2.2)) as

$$\Phi := \inf_{S \subseteq \Omega} \frac{\int_S \int_{\Omega/S} dx dy \pi_x p_{x \rightarrow y}}{\min\{\int_S dx \pi_x, \int_{\Omega/S} dx \pi_x\}}. \quad (2.17)$$

It is well-known that the mixing time of this random walk is proportional to $1/\Phi^2$. This is captured by the following proposition:

Proposition 2.1 ([39, Corollary 1.5]). *Let $M := \sup_{S \subseteq \Omega} \frac{\sigma(S)}{\pi(S)}$. Then for every $S \subseteq \Omega$,*

$$|\sigma^{(k)}(S) - \pi(S)| \leq \sqrt{M} \left(1 - \frac{1}{2} \Phi^2\right)^k. \quad (2.18)$$

Furthermore, the conductance in **Proposition 2.1** can be relaxed to that of sets with a fixed small probability p :

Proposition 2.2 ([39, Corollary 1.6]). *Let $M := \sup_{S \subseteq \Omega} \frac{\sigma(S)}{\pi(S)}$. If the conductance for all $A \subseteq \Omega$ such that $\pi(A) = p \leq 1/2$ is at least Φ_p , then for all $S \subseteq \Omega$, we have*

$$|\sigma^{(k)}(S) - \pi(S)| \leq 2Mp + 2M \left(1 - \frac{1}{2} \Phi_p^2\right)^k. \quad (2.19)$$

Second, Ref. [41] proved a lower bound on the conductance of the hit-and-run walk with exponential density:

Proposition 2.3 ([41, Theorem 6.9]). *Let f be a density in \mathbb{R}^n proportional to $e^{-a^T x}$ whose support is a convex body K of diameter d . Assume that $B_2(0, r) \subseteq K$. Then for any subset S with $\pi_f(S) = p \leq 1/2$, the conductance of the hit-and-run walk satisfies*

$$\phi(S) \geq \frac{r}{10^{13} n d \ln(nd/rp)}. \quad (2.20)$$

Proposition 2.1 and **Proposition 2.3** imply **Theorem 2.4** and **Theorem 2.5**; complete proofs are given in [41].

For the conductance of the hit-and-run walk with a uniform distribution, Ref. [41] established a stronger lower bound that is independent of p :

Proposition 2.4 ([41, Theorem 4.2]). *Assume that K has diameter d and contains a unit ball. Then the conductance of the hit-and-run in K with uniform distribution is at least $\frac{1}{2^{24} n d}$.*

3 Theory of continuous-space quantum walks

In this section, we develop the theory of continuous-space, discrete-time quantum walks.

Specifically, we generalize the discrete-time quantum walk of Szegedy [58] to continuous space. Let $n \in \mathbb{N}$ and suppose Ω is a continuous³ subset of \mathbb{R}^n . A probability transition density p on Ω is a continuous function $p: \Omega \times \Omega \rightarrow [0, +\infty)$ such that⁴

$$\int_{\Omega} dy p(x, y) = 1 \quad \forall x \in \Omega. \quad (3.1)$$

We also write $p_{x \rightarrow y} := p(x, y)$ for the transition density from x to y . Together, Ω and p specify a continuous-space Markov chain that we denote (Ω, p) throughout the paper.

For background on the mathematical foundations of quantum mechanics over continuous state spaces, see [53, Chapter 1]. In this section, we use $|x\rangle$ (for $x \in \mathbb{R}^n$) to denote the computational basis; we have

$$\int_{\Omega} dx |x\rangle\langle x| = I \quad (3.2)$$

and

$$\langle x|x'\rangle = \delta(x - x') \quad (3.3)$$

for all $x, x' \in \mathbb{R}^n$, where δ is the Dirac δ -function satisfying $\delta(0) = +\infty$, $\delta(x) = 0$ for all $x \neq 0$, and $\int_{\mathbb{R}^n} \delta(x) dx = 1$.⁵ The pure states in Ω correspond to functions in the set

$$\text{St}(\Omega) := \left\{ f: \Omega \rightarrow \mathbb{R} \mid \int_{\Omega} dx |f(x)|^2 = 1 \right\}. \quad (3.4)$$

In general, a function $f: \Omega \rightarrow \mathbb{R}$ is in $L^2(\Omega)$ if $\int_{\Omega} dx |f(x)|^2 < \infty$. The inner product $\langle \cdot, \cdot \rangle$ on $L^2(\Omega)$ is defined by

$$\langle f, g \rangle := \int_{\Omega} dx f(x)g(x) \quad \forall f, g \in L^2(\Omega) \quad (3.5)$$

(note that by the Cauchy-Schwartz inequality, $|\langle f, g \rangle|^2 \leq (\int_{\Omega} dx |f(x)|^2)(\int_{\Omega} dx |g(x)|^2) < \infty$); the norm of an $f \in L^2(\Omega)$ is subsequently defined as $\|f\| := \sqrt{\langle f, f \rangle}$.

3.1 Continuous-space quantum walk

Given a transition density function p , the quantum walk is characterized by the following states:

$$|\phi_x\rangle := |x\rangle \otimes \int_{\Omega} dy \sqrt{p_{x \rightarrow y}} |y\rangle \quad \forall x \in \mathbb{R}^n. \quad (3.6)$$

³We say that Ω is continuous if for any $x, y \in \Omega$ there is a continuous function $f_{x,y}: [0, 1] \rightarrow \Omega$ such that $f_{x,y}(0) = x$ and $f_{x,y}(1) = y$.

⁴This setting covers real applications in theoretical computer science, including volume estimation. Because continuous functions on continuous sets are Riemann integrable, the integrals throughout the paper are simply the Riemann integrals.

⁵Note that the δ -function here is a generalized function, and rigorously it should be regarded as a (singular) Lebesgue measure (see the textbook [52]). Also note that in the discrete-space case, δ is the Kronecker δ -function defined as $\delta(x) = 0$ for all $x \neq 0$, and $\delta(0) = 1$; this is one main difference between the theory of continuous-space and discrete-space quantum walks.

Now, denote

$$U := \int_{\Omega} dx |\phi_x\rangle(\langle x| \otimes \langle 0|), \quad \Pi := \int_{\Omega} dx |\phi_x\rangle\langle\phi_x|, \quad S := \int_{\Omega} \int_{\Omega} dx dy |x, y\rangle\langle y, x|. \quad (3.7)$$

Notice that Π is the projection onto $\text{span}\{|\phi_x\rangle\}_{x \in \mathbb{R}^n}$ because

$$\Pi^2 = \int_{\Omega} \int_{\Omega} dx dx' |\phi_x\rangle\langle\phi_x|\phi_{x'}\rangle\langle\phi_{x'}| = \int_{\Omega} \int_{\Omega} dx dx' \delta(x - x') |\phi_x\rangle\langle\phi_{x'}| = \int_{\Omega} dx |\phi_x\rangle\langle\phi_x| = \Pi, \quad (3.8)$$

and S is the swap operator for the two registers. A single step of the quantum walk is defined as the unitary operator

$$W := S(2\Pi - I). \quad (3.9)$$

The first main result of this subsection is the following theorem:

Theorem 3.1. *Let*

$$D := \int_{\Omega} \int_{\Omega} dx dy \sqrt{p_{x \rightarrow y} p_{y \rightarrow x}} |x\rangle\langle y| \quad (3.10)$$

denote the discriminant operator of p . Let Λ be the set of eigenvalues of D , so that $D = \int_{\Lambda} d\lambda \lambda |\lambda\rangle\langle\lambda|$. Then the eigenvalues of the quantum walk operator W in (3.9) are ± 1 and $\lambda \pm i\sqrt{1 - \lambda^2}$ for all $\lambda \in \Lambda$.

To prove [Theorem 3.1](#), we first prove the following lemma:

Lemma 3.1. *For any $\lambda \in \Lambda$, we have $|\lambda| \leq 1$.*

Proof. Since λ is an eigenvalue of D , we have $D|\lambda\rangle = \lambda|\lambda\rangle$. As a result, we have⁶

$$|\lambda|\delta(0) = |\lambda|\langle\lambda|\lambda\rangle = |\langle\lambda|D|\lambda\rangle| \quad (3.11)$$

$$= \left| \int_{\Omega} \int_{\Omega} dx dy \sqrt{p_{y \rightarrow x} p_{x \rightarrow y}} \langle\lambda|x\rangle\langle y|\lambda\rangle \right| \quad (3.12)$$

$$\text{(by Cauchy-Schwartz)} \leq \sqrt{\left(\int_{\Omega} \int_{\Omega} dx dy p_{y \rightarrow x} |\langle y|\lambda\rangle|^2 \right) \left(\int_{\Omega} \int_{\Omega} dx dy p_{x \rightarrow y} |\langle\lambda|x\rangle|^2 \right)} \quad (3.13)$$

$$\text{(by } \int_{\Omega} dy p_{x \rightarrow y} = 1) \leq \sqrt{\left(\int_{\Omega} dy |\langle y|\lambda\rangle|^2 \right) \left(\int_{\Omega} dx |\langle\lambda|x\rangle|^2 \right)} \quad (3.14)$$

$$= \int_{\Omega} dx \langle\lambda|x\rangle\langle x|\lambda\rangle \quad (3.15)$$

$$\text{(by (3.2))} = \langle\lambda| \left(\int_{\Omega} dx |x\rangle\langle x| \right) |\lambda\rangle \quad (3.16)$$

$$= \delta(0). \quad (3.17)$$

Hence the result follows. \square

⁶This proof is not fully rigorous as $\delta(0)$ is ill-defined. However, δ can be regarded as the limit (in the sense of distributions) of the sequence of zero-centered normal distributions $\delta_{\sigma}(x) = \frac{1}{|\sigma|\sqrt{\pi}} e^{-(x/\sigma)^2}$ as $\sigma \rightarrow 0$. Then the LHS of (3.11) is replaced by $|\lambda| \cdot \frac{1}{|\sigma|\sqrt{\pi}}$ and the RHS of (3.17) is replaced by $\frac{1}{|\sigma|\sqrt{\pi}}$, so $|\lambda| \leq 1$, and this also holds in the limit $\sigma \rightarrow 0$. For convenience we use similar arguments (regarding $\delta(0)$ as a positive real number) in this section, but keep in mind that rigorous proofs can be given by limit arguments.

Proof of Theorem 3.1. Define an isometry

$$T := \int_{\Omega} dx |\phi_x\rangle\langle x| = \int_{\Omega} \int_{\Omega} dx dy \sqrt{p_{x \rightarrow y}} |x, y\rangle\langle x|. \quad (3.18)$$

Then

$$TT^{\dagger} = \int_{\Omega} \int_{\Omega} dx dy |\phi_x\rangle\langle x|y\rangle\langle\phi_y| = \int_{\Omega} dx |\phi_x\rangle\langle\phi_x| = \Pi, \quad (3.19)$$

and

$$T^{\dagger}T = \int_{\Omega} \int_{\Omega} dx dy |x\rangle\langle\phi_x|\phi_y\rangle\langle y| \quad (3.20)$$

$$= \int_{\Omega} \int_{\Omega} \int_{\Omega} \int_{\Omega} dx dy da db \langle x|y\rangle\langle a|b\rangle \sqrt{p_{x \rightarrow a}p_{y \rightarrow b}} |x\rangle\langle y| \quad (3.21)$$

$$= \int_{\Omega} \int_{\Omega} dx da p_{x \rightarrow a} |x\rangle\langle x| \quad (3.22)$$

$$= \int_{\Omega} dx |x\rangle\langle x| \quad (3.23)$$

$$= I. \quad (3.24)$$

Furthermore,

$$T^{\dagger}ST = \int_{\Omega} \int_{\Omega} dx dy |x\rangle\langle\phi_x|S|\phi_y\rangle\langle y| \quad (3.25)$$

$$= \int_{\Omega} \int_{\Omega} \int_{\Omega} \int_{\Omega} dx dy da db \langle x, a|S|y, b\rangle \sqrt{p_{x \rightarrow a}p_{y \rightarrow b}} |x\rangle\langle y| \quad (3.26)$$

$$= \int_{\Omega} \int_{\Omega} dx da \sqrt{p_{x \rightarrow a}p_{a \rightarrow x}} |x\rangle\langle a| \quad (3.27)$$

$$= D. \quad (3.28)$$

As a result, for any $\lambda \in \Lambda$ we have

$$WT|\lambda\rangle = S(2\Pi - I)T|\lambda\rangle = (2STT^{\dagger}T - ST)|\lambda\rangle = (2ST - ST)|\lambda\rangle = ST|\lambda\rangle. \quad (3.29)$$

Similarly, we have

$$WST|\lambda\rangle = S(2\Pi - I)ST|\lambda\rangle = (2STT^{\dagger}ST - S^2T)|\lambda\rangle = (2STD - T)|\lambda\rangle = (2\lambda S - I)T|\lambda\rangle. \quad (3.30)$$

By **Lemma 3.1**, $|\lambda| \leq 1$. As a result, we have

$$W(I - (\lambda + i\sqrt{1 - \lambda^2})S)T|\lambda\rangle = WT|\lambda\rangle - (\lambda + i\sqrt{1 - \lambda^2})WST|\lambda\rangle \quad (3.31)$$

$$= ST|\lambda\rangle - (\lambda + i\sqrt{1 - \lambda^2})(2\lambda S - I)T|\lambda\rangle \quad (3.32)$$

$$= (S - (\lambda + i\sqrt{1 - \lambda^2})(2\lambda S - I))T|\lambda\rangle \quad (3.33)$$

$$= (\lambda + i\sqrt{1 - \lambda^2})(I - (\lambda + i\sqrt{1 - \lambda^2})S)T|\lambda\rangle; \quad (3.34)$$

in other words, $\lambda + i\sqrt{1 - \lambda^2}$ is an eigenvalue of W with eigenvector $(I - (\lambda + i\sqrt{1 - \lambda^2})S)T|\lambda\rangle$.

Similarly, we have

$$W(I - (\lambda - i\sqrt{1 - \lambda^2})S)T|\lambda\rangle = (\lambda - i\sqrt{1 - \lambda^2})(I - (\lambda - i\sqrt{1 - \lambda^2})S)T|\lambda\rangle, \quad (3.35)$$

i.e., $\lambda - i\sqrt{1 - \lambda^2}$ is an eigenvalue of W with eigenvector $(I - (\lambda - i\sqrt{1 - \lambda^2})S)T|\lambda\rangle$.

Finally, note that for any vector $|u\rangle$ in the orthogonal complement of $\text{span}_{\lambda \in \Lambda}\{T|\lambda\rangle, ST|\lambda\rangle\}$, W simply acts as $-S$ since

$$\Pi = TT^\dagger = \int_{\Lambda} d\lambda T|\lambda\rangle\langle\lambda|T^\dagger, \quad (3.36)$$

which projects onto $\text{span}_{\lambda \in \Lambda}\{T|\lambda\rangle\}$. In this orthogonal complement subspace, the eigenvalues are ± 1 because $S^2 = I$. \square

3.2 Stationary distribution

Classically, the density $\pi = (\pi_x)_{x \in \Omega}$ corresponding to the stationary distribution of a Markov chain (Ω, p) satisfies

$$\int_{\Omega} dx \pi_x = 1; \quad \int_{\Omega} dy p_{y \rightarrow x} \pi_y = \pi_x \quad \forall x \in \Omega. \quad (3.37)$$

In other words, we can naturally define a transition operator as

$$P := \int_{\Omega} \int_{\Omega} dx dy p_{y \rightarrow x} |x\rangle\langle y|, \quad (3.38)$$

and the stationary density π satisfies $P\pi = \pi$. The Markov chain (Ω, p) is *reversible* if there exists a classical density $\sigma = (\sigma_x)_{x \in \Omega}$ such that

$$p_{y \rightarrow x} \sigma_y = p_{x \rightarrow y} \sigma_x \quad \forall x, y \in \Omega. \quad (3.39)$$

(This is called the *detailed balance condition*.) Notice that for all $x \in \Omega$,

$$\int_{\Omega} dy p_{y \rightarrow x} \sigma_y = \int_{\Omega} dy p_{x \rightarrow y} \sigma_x = \sigma_x \int_{\Omega} dy p_{x \rightarrow y} = \sigma_x; \quad (3.40)$$

therefore, we must have $P\sigma = \sigma$, i.e., σ is a stationary density of P . In this paper, we focus on Markov chains (Ω, p) that are reversible and have a unique stationary distribution (i.e., $\sigma = \pi$). Such assumptions are natural for Markov chains in practice, including the Metropolis-Hastings algorithm, simple random walks on graphs, etc.

We point out that if π is the classical stationary density of a reversible Markov chain (Ω, p) , then

$$|\pi_W\rangle := \int_{\Omega} dx \sqrt{\pi_x} |\phi_x\rangle \quad (3.41)$$

is the unique eigenvalue-1 eigenstate of the quantum walk operator W restricted to the subspace

$\text{span}_{\lambda \in \Lambda} \{T|\lambda\rangle, ST|\lambda\rangle\}$. First, a simple calculation shows that

$$W|\pi_W\rangle = S(2\Pi - I)|\pi_W\rangle \quad (3.42)$$

$$= S|\pi_W\rangle \quad (3.43)$$

$$= \left(\int_{\Omega} \int_{\Omega} dx dy |x, y\rangle \langle y, x| \right) \left(\int_{\Omega} \int_{\Omega} dx dy \sqrt{\pi_y p_{y \rightarrow x}} |y, x\rangle \right) \quad (3.44)$$

$$= \int_{\Omega} \int_{\Omega} dx dy \sqrt{\pi_y p_{y \rightarrow x}} |x, y\rangle \quad (3.45)$$

$$= \int_{\Omega} \int_{\Omega} dx dy \sqrt{\pi_x p_{x \rightarrow y}} |x\rangle |y\rangle \quad (3.46)$$

$$= \int_{\Omega} dx \sqrt{\pi_x} |x\rangle \left(\int_{\Omega} dy \sqrt{p_{x \rightarrow y}} |y\rangle \right) \quad (3.47)$$

$$= \int_{\Omega} dx \sqrt{\pi_x} |\phi_x\rangle \quad (3.48)$$

$$= |\pi_W\rangle, \quad (3.49)$$

where (3.43) follows from $|\pi_W\rangle \in \text{span}_{x \in \Omega} \{|\phi_x\rangle\}$, (3.44) follows from the definition of S in (3.7), (3.46) follows from (3.39), and (3.46) follows from the definition of $|\phi_x\rangle$ in (3.6). Thus $|\pi_W\rangle$ is an eigenvector of W with eigenvalue 1. On the other hand, since (Ω, p) is reversible, P is similar to D : if we denote $D_{\pi} := \int_{\Omega} dx \sqrt{\pi_x} |x\rangle \langle x|$, then

$$D_{\pi} D D_{\pi}^{-1} = \left(\int_{\Omega} dx \sqrt{\pi_x} |x\rangle \langle x| \right) \left(\int_{\Omega} \int_{\Omega} dx dy \sqrt{p_{x \rightarrow y} p_{y \rightarrow x}} |x\rangle \langle y| \right) \left(\int_{\Omega} dy \sqrt{\pi_y^{-1}} |y\rangle \langle y| \right) \quad (3.50)$$

$$= \int_{\Omega} \int_{\Omega} dx dy \sqrt{\pi_x \pi_y^{-1} p_{x \rightarrow y} p_{y \rightarrow x}} |x\rangle \langle y| \quad (3.51)$$

$$\text{(by (3.39))} = \int_{\Omega} \int_{\Omega} dx dy p_{y \rightarrow x} |x\rangle \langle y| \quad (3.52)$$

$$= P. \quad (3.53)$$

As a result, D and P have the same set of eigenvalues. Furthermore, Lemma 3.1 implies that all eigenvalues of P have norm at most 1, and the proof of Theorem 3.1 shows that $|\pi_W\rangle$ is the unique eigenvector with this eigenvalue within $\text{span}_{\lambda \in \Lambda} \{T|\lambda\rangle, ST|\lambda\rangle\}$.

The state

$$|\pi\rangle := \int_{\Omega} dx \sqrt{\pi_x} |x\rangle \quad (3.54)$$

represents a quantum sample from the density π ; in particular, measuring $|\pi\rangle$ in the computational basis gives a classical sample from π . Furthermore, the unitary operator in (3.7) satisfies

$$U^{\dagger} |\pi_W\rangle = \left(\int_{\Omega} dx |x\rangle |0\rangle \langle \phi_x| \right) \left(\int_{\Omega} dx \sqrt{\pi_x} |\phi_x\rangle \right) = \int_{\Omega} dx \sqrt{\pi_x} |x\rangle |0\rangle = |\pi\rangle |0\rangle, \quad (3.55)$$

so we have $U|\pi\rangle|0\rangle = |\pi_W\rangle$.

3.3 Cheeger's inequality for continuous-space Markov chains

Suppose that (Ω, p) is a reversible Markov chain with a unique stationary distribution with density π . Its spectral gap and conductance are defined as follows (see also Eq. (2.17)).

Definition 3.1 (Spectral gap). *The spectral gap of the Markov chain (Ω, p) is defined as*

$$\Delta_p := 1 - \sup_{f \in L^2(\Omega), \langle f, \pi \rangle = 0} \frac{\langle f, Pf \rangle}{\langle f, f \rangle}, \quad (3.56)$$

where P is the transition operator defined in (3.38).

Definition 3.2 (Conductance). *The conductance of the Markov chain (Ω, p) is*

$$\Phi_p := \inf_{S \subseteq \Omega} \frac{\int_S \int_{\Omega/S} dx dy \pi_x p_{x \rightarrow y}}{\min\{\int_S dx \pi_x, \int_{\Omega/S} dx \pi_x\}}. \quad (3.57)$$

These quantities are related by Cheeger's inequality as follows.

Theorem 3.2 (Cheeger's inequality for continuous-space Markov chains).

$$\Phi_p \leq \sqrt{2\Delta_p}. \quad (3.58)$$

Whereas [Proposition 2.1](#) relates the conductance of a random walk to its mixing time, [Theorem 3.2](#) relates the conductance to the spectral gap. When analyzing the quantum algorithm for volume estimation, this directly helps us upper bound the cost of phase estimation in $\pi/3$ -amplitude amplification (see [Section 2.2](#)).

Our proof of [Theorem 3.2](#) generalizes Cheeger's inequality for discrete Markov chains [\[17\]](#) to continuous ones.

Proof. We begin by introducing notation. Let $Q(x, y) := p_{x \rightarrow y} \pi_x$ for all $x, y \in \Omega$. By the detailed balance equation (3.39), Q is symmetric:

$$Q(x, y) = p_{x \rightarrow y} \pi_x = p_{y \rightarrow x} \pi_y = Q(y, x). \quad (3.59)$$

We define a function space with respect to π , namely

$$L_\pi^2(\Omega) := \left\{ f: \Omega \rightarrow \mathbb{R} \mid \int_\Omega dx |f(x)|^2 \pi_x < \infty \right\}. \quad (3.60)$$

For any $f, g \in L_\pi^2(\Omega)$, we denote the inner product and norm on L_π^2 as

$$\langle f, g \rangle_{L_\pi^2} := \int_\Omega dx f(x)g(x)\pi_x, \quad \|f\|_{L_\pi^2} := \sqrt{\langle f, f \rangle_{L_\pi^2}}. \quad (3.61)$$

Note that they satisfy the Cauchy-Schwartz inequality:

$$|\langle f, g \rangle_{L_\pi^2}|^2 = \left(\int_\Omega dx f(x)g(x)\pi_x \right)^2 \quad (3.62)$$

$$\leq \left(\int_\Omega dx |f(x)|^2 \pi_x \right) \left(\int_\Omega dx |g(x)|^2 \pi_x \right) \quad (3.63)$$

$$= \|f\|_{L_\pi^2}^2 \cdot \|g\|_{L_\pi^2}^2. \quad (3.64)$$

For any $\psi \in L_\pi^2(\Omega)$, we define

$$S(\psi) := \{x \in \Omega \mid \psi(x) \geq 0\}, \quad \Phi(\psi) := \inf \left\{ \frac{\int_S \int_{\Omega/S} dx dy Q(x, y)}{\int_S dx \pi_x} : \emptyset \neq S \subseteq S(\psi) \right\}. \quad (3.65)$$

By the definition of conductance in [Definition 3.2](#), it is straightforward to see that for all $\psi \in L^2_\pi(\Omega)$ such that $\int_{S(\psi)} dx \pi_x \leq 1/2$, we have $\Phi(\psi) \geq \Phi_p$. Based on this observation, our first step is to prove an upper bound on $\Phi(\psi)$. In particular, we prove

$$\Phi(\psi)^2 \|\psi\|_{L^2_\pi}^2 \leq \int_\Omega \int_\Omega dx dy (\psi(x) - \psi(y))^2 Q(x, y). \quad (3.66)$$

Without loss of generality, when proving [\(3.66\)](#) we can assume that $\psi(x) \geq 0$ for all $x \in \Omega$. (Otherwise, we consider $\psi_+ \in L^2_\pi(\Omega)$ where $\psi_+(x) = \max\{\psi(x), 0\}$ for all $x \in \Omega$. On the one hand $S(\psi) = S(\psi_+)$, $\Phi(\psi) = \Phi(\psi_+)$, and hence the LHS does not change. On the other hand, we always have $|\psi_+(x) - \psi_+(y)| \leq |\psi(x) - \psi(y)|$.)

By the Cauchy-Schwartz inequality, we have

$$\begin{aligned} \int_\Omega \int_\Omega dx dy |\psi(x)^2 - \psi(y)^2| Q(x, y) &\leq \sqrt{\int_\Omega \int_\Omega dx dy (\psi(x) - \psi(y))^2 Q(x, y)} \\ &\quad \cdot \sqrt{\int_\Omega \int_\Omega dx dy (\psi(x) + \psi(y))^2 Q(x, y)}. \end{aligned} \quad (3.67)$$

Notice that

$$\int_\Omega \int_\Omega dx dy (\psi(x) + \psi(y))^2 Q(x, y) \leq 2 \int_\Omega \int_\Omega dx dy (\psi(x)^2 + \psi(y)^2) Q(x, y) \quad (3.68)$$

$$= 4 \int_\Omega \int_\Omega dx dy \psi(x)^2 \pi_x p_{x \rightarrow y} \quad (3.69)$$

$$= 4 \|\psi\|_{L^2_\pi}^2. \quad (3.70)$$

Plugging this into [\(3.67\)](#) gives

$$\int_\Omega \int_\Omega dx dy |\psi(x)^2 - \psi(y)^2| Q(x, y) \leq 2 \|\psi\|_{L^2_\pi} \sqrt{\int_\Omega \int_\Omega dx dy (\psi(x) - \psi(y))^2 Q(x, y)}. \quad (3.71)$$

On the other hand, due to the symmetry of Q ,

$$\begin{aligned} &\int_\Omega \int_\Omega dx dy |\psi(x)^2 - \psi(y)^2| Q(x, y) \\ &= 2 \int \int_{(x,y) \in \Omega^2: \psi(y) > \psi(x)} dx dy (\psi(y)^2 - \psi(x)^2) Q(x, y) \end{aligned} \quad (3.72)$$

$$= 4 \int \int_{(x,y) \in \Omega^2: \psi(y) > \psi(x)} dx dy \left(\int_{\psi(x)}^{\psi(y)} dt t \right) Q(x, y) \quad (3.73)$$

$$= 4 \int_0^\infty dt t \left(\int \int_{(x,y) \in \Omega^2: \psi(y) > t \geq \psi(x)} dx dy Q(x, y) \right). \quad (3.74)$$

Denote $S_t := \{x \in \Omega : \psi(x) > t\}$ for any $t \geq 0$; then $S_t \subseteq S(\psi^+)$ and

$$\int \int_{(x,y) \in \Omega^2: \psi(y) > t \geq \psi(x)} dx dy Q(x, y) = \int_{S_t} \int_{\Omega/S_t} dx dy Q(x, y). \quad (3.75)$$

Plugging this and the definition of $\Phi(\psi)$ from [\(3.65\)](#) into [\(3.74\)](#), we have

$$\int_\Omega \int_\Omega dx dy |\psi(x)^2 - \psi(y)^2| Q(x, y) \geq 4 \Phi(\psi^+) \int_0^\infty dt t \int_{S_t} dx \pi_x = 2 \Phi(\psi) \|\psi\|_{L^2_\pi}^2, \quad (3.76)$$

where the last equality is based on two facts: $\Phi(\psi^+) = \Phi(\psi)$ since $S(\psi) = S(\psi)$ in (3.65), and $\int_0^\infty dt t \int_{S_t} dx \pi_x = \|\psi\|_{L_\pi^2}^2/2$ by Fubini's theorem. Equation (3.66) follows from combining (3.71) and (3.76).

In the rest of the proof, we find an upper bound for the right-hand side of (3.66). By the definition of the spectral gap in Definition 3.1, we have

$$\Delta_p := 1 - \sup_{f \in L^2(\Omega), \langle f, \pi \rangle = 0} \frac{\langle f, Pf \rangle}{\langle f, f \rangle} = \inf_{f \in L^2(\Omega), \langle f, \pi \rangle = 0} \frac{\langle f, (I - P)f \rangle}{\langle f, f \rangle}. \quad (3.77)$$

Notice that $f \in L_\pi^2(\Omega)$ if and only if $f\sqrt{\pi} \in L^2(\Omega)$. Therefore, (3.77) implies that there exists $\psi^{(\epsilon)} \in L_\pi^2(\Omega)$ such that $\langle \psi^{(\epsilon)}, \pi \rangle = 0$ and

$$\|(I - P)\psi^{(\epsilon)}\|_{L_\pi^2} = \|(I - P)\psi^{(\epsilon)}\sqrt{\pi}\| \leq (\Delta_p + \epsilon)\|\psi^{(\epsilon)}\sqrt{\pi}\| = (\Delta_p + \epsilon)\|\psi^{(\epsilon)}\|_{L_\pi^2}. \quad (3.78)$$

Thus, by the Cauchy-Schwartz inequality we have

$$(\Delta_p + \epsilon)\|\psi^{(\epsilon)}\|_{L_\pi^2}^2 \geq \|\psi^{(\epsilon)}\|_{L_\pi^2} \cdot \|(I - P)\psi^{(\epsilon)}\|_{L_\pi^2} \geq \langle \psi^{(\epsilon)}, (I - P)\psi^{(\epsilon)} \rangle_{L_\pi^2}. \quad (3.79)$$

Furthermore, we have

$$\langle \psi^{(\epsilon)}, (I - P)\psi^{(\epsilon)} \rangle_{L_\pi^2} \quad (3.80)$$

$$= \langle \psi^{(\epsilon)}, \psi^{(\epsilon)} \rangle_{L_\pi^2} - \langle \psi^{(\epsilon)}, P\psi^{(\epsilon)} \rangle_{L_\pi^2} \quad (3.81)$$

$$= \int_\Omega dx \psi^{(\epsilon)}(x)^2 \pi_x - \int_\Omega \int_\Omega dx dy \psi^{(\epsilon)}(x) \psi^{(\epsilon)}(y) \pi_x p_{x \rightarrow y} \quad (3.82)$$

$$= \frac{1}{2} \left(\int_\Omega dx \psi^{(\epsilon)}(x)^2 \pi_x + \int_\Omega dy \psi^{(\epsilon)}(y)^2 \pi_y \right) - \int_\Omega \int_\Omega dx dy \psi^{(\epsilon)}(x) \psi^{(\epsilon)}(y) Q(x, y) \quad (3.83)$$

$$= \frac{1}{2} \int_\Omega \int_\Omega dx dy \left(\psi^{(\epsilon)}(x)^2 + \psi^{(\epsilon)}(y)^2 - 2\psi^{(\epsilon)}(x)\psi^{(\epsilon)}(y) \right) Q(x, y) \quad (3.84)$$

$$= \frac{1}{2} \int_\Omega \int_\Omega dx dy (\psi^{(\epsilon)}(x) - \psi^{(\epsilon)}(y))^2 Q(x, y). \quad (3.85)$$

Combining (3.66), (3.79), and (3.85), we have

$$\Phi(\psi^{(\epsilon)})^2 \leq 2(\Delta_p + \epsilon). \quad (3.86)$$

Since $\langle \psi^{(\epsilon)}, \pi \rangle = 0$, we also have $\langle -\psi^{(\epsilon)}, \pi \rangle = 0$. Therefore, plugging $-\psi^{(\epsilon)}$ into all the proof steps above, we also obtain

$$\max\{\Phi(\psi^{(\epsilon)})^2, \Phi(-\psi^{(\epsilon)})^2\} \leq 2(\Delta_p + \epsilon). \quad (3.87)$$

Recall that $\Phi(\psi) \geq \Phi_p$ when $\int_{S(\psi)} dx \pi_x \leq 1/2$. Since $S(\psi^{(\epsilon)}) \cup S(-\psi^{(\epsilon)}) = \{x \in \Omega \mid \psi(x) \geq 0\} \cup \{x \in \Omega \mid \psi(x) \leq 0\} = \Omega$, we have

$$\int_{S(\psi^{(\epsilon)})} dx \pi_x + \int_{S(-\psi^{(\epsilon)})} dx \pi_x = \int_\Omega dx \pi_x = 1. \quad (3.88)$$

By the pigeonhole principle, at least one of $\int_{S(\psi^{(\epsilon)})} dx \pi_x$, $\int_{S(-\psi^{(\epsilon)})} dx \pi_x$ is at most 1/2, which implies that at least one of $\Phi(\psi^{(\epsilon)})$, $\Phi(-\psi^{(\epsilon)})$ is at least Φ_p . Plugging this into (3.87), we have

$$\Phi_p^2 \leq 2(\Delta_p + \epsilon). \quad (3.89)$$

Since this is true for all $\epsilon > 0$, we must have $\Phi_p^2 \leq 2\Delta_p$, and hence the result follows. \square

4 Quantum speedup for volume estimation

In this section, we present and analyze our quantum algorithm for volume estimation. First, we review the classical state-of-the-art volume estimation algorithm in [Section 4.1](#). We then describe our quantum algorithm for estimating the volume of well-rounded convex bodies (i.e., $R/r = O(\sqrt{n})$) with query complexity $\tilde{O}(n^{2.5}/\epsilon)$ in [Section 4.2](#), with detailed proofs given in [Section 4.3](#). Finally, we remove the well-rounded condition by giving a quantum algorithm for rounding convex bodies with query complexity $\tilde{O}(n^{3.5})$ in [Section 4.4](#).

4.1 Review of classical algorithms for volume estimation

The state-of-the-art classical algorithm for volume estimation uses $\tilde{O}(n^4 + n^3/\epsilon^2)$ classical queries, where $\tilde{O}(n^4)$ queries are used to construct the affine transformation that makes convex body well-rounded [\[42\]](#) and $\tilde{O}(n^3/\epsilon^2)$ queries are used to estimate the volume of the well-rounded convex body (after the affine transformation) [\[16\]](#).

We now review the algorithm of [\[42\]](#) for estimating volumes of well-rounded convex bodies. This algorithm estimates the volume of a convex body obtained by the following *pencil construction*. Define the cone

$$C := \left\{ x \in \mathbb{R}^{n+1} : x_0 \geq 0, \sum_{i=1}^n x_i^2 \leq x_0^2 \right\}. \quad (4.1)$$

Let K' be the intersection of the cone C and a cylinder $[0, 2D] \times K$, i.e.,

$$K' := ([0, 2D] \times K) \cap C \quad (4.2)$$

(recall $D = R/r$). Without loss of generality we renormalize to $r = 1$, so that $B_2(0, 1) \subseteq K \subseteq B_2(0, D)$. Since $D \text{Vol}(K) \leq \text{Vol}(K') \leq 2D \text{Vol}(K)$, we can estimate $\text{Vol}(K)$ with multiplicative error ϵ by generating $O(1/\epsilon^2)$ sample points from the uniform distribution on $[0, 2D] \times K$ and then counting how many of them fall into K' . Such an approximation succeeds with high probability by a Chernoff-type argument (see [Section 4.3.1](#) for a formal proof).

Reference [\[42\]](#) considers simulated annealing under the pencil construction. For any $a > 0$, define

$$Z(a) := \int_{K'} e^{-ax_0} dx. \quad (4.3)$$

It can be shown that for any $a \leq \epsilon/D$,

$$(1 - \epsilon) \text{Vol}(K') \leq Z(a) \leq \text{Vol}(K'). \quad (4.4)$$

On the other hand, for any $a \geq 2n$,

$$(1 - \epsilon) \int_C e^{-ax_0} dx \leq Z(a) \leq \int_C e^{-ax_0} dx. \quad (4.5)$$

This suggests using a simulated annealing procedure for estimating $\text{Vol}(K')$. Specifically, if we select a sequence $a_0 > a_1 > \dots > a_m$ for which $a_0 = 2n$ and $a_m \leq \epsilon/D$, then we can estimate $\text{Vol}(K')$ by

$$Z(a_m) = Z(a_0) \prod_{i=0}^{m-1} \frac{Z(a_{i+1})}{Z(a_i)}. \quad (4.6)$$

(Note that this procedure uses an increasing sequence of temperatures $1/a_i$, unlike standard simulated annealing in which temperature is decreased.)

Let π_i be the probability distribution over K' with density proportional to $e^{-a_i x_0}$, i.e., $d\pi_i(x) = \frac{e^{-a_i x_0}}{Z(a_i)} dx$. Let X_i be a random sample from π_i , and let $(X_i)_0$ be its first coordinate; define $V_i := e^{(a_i - a_{i+1})(X_i)_0}$. We have

$$\mathbb{E}_{\pi_i}[V_i] = \int_{K'} e^{(a_i - a_{i+1})x_0} d\pi_i(x) = \int_{K'} e^{(a_i - a_{i+1})x_0} \frac{e^{-a_i x_0}}{Z(a_i)} dx = \frac{Z(a_{i+1})}{Z(a_i)}. \quad (4.7)$$

Furthermore, if the simulated annealing schedule satisfies $a_{i+1} \geq (1 - \frac{1}{\sqrt{n}})a_i$, then V_i satisfies (see [42, Lemma 4.1])

$$\frac{\mathbb{E}_{\pi_i}[V_i^2]}{\mathbb{E}_{\pi_i}[V_i]^2} \leq \left(\frac{a_{i+1}^2}{a_i(2a_{i+1} - a_i)} \right)^{n+1} < 8 \quad \forall i \in [m], \quad (4.8)$$

i.e., the variance of V_i is bounded by a constant multiple of the square of its expectation. Thus, this simulated annealing procedure constitutes *Chebyshev cooling* (see also Section 4.3.3), ensuring its correctness (see Proposition 4.1).

Algorithm 2 presents this approach in detail. Note that sampling from π_0 in Line 2 is straightforward: select a random positive real number X_0 from the distribution with density e^{-2nx} and choose a uniformly random point (V_1, \dots, V_n) from the unit ball. If $X = (X_0, X_0 V_1, \dots, X_0 V_n) \notin K'$, try again; else return X . Equation (4.5) ensures that we succeed with probability at least $1 - \epsilon$ for each sample.

Algorithm 2: Volume estimation of well-rounded K with $\tilde{O}(n^4/\epsilon^2)$ classical queries [42].

Input: Membership oracle O_K of K ; R such that $B_2(0, 1) \subseteq K \subseteq B_2(0, R)$; $R = O(\sqrt{n})$, i.e., K is well-rounded.

Output: ϵ -multiplicative approximation of $\text{Vol}(K)$.

- 1 Set $m = 2\lceil \sqrt{n} \ln(n/\epsilon) \rceil$, $k = \frac{512}{\epsilon^2} \sqrt{n} \ln(n/\epsilon)$, $\delta = \epsilon^2 n^{-10}$, and $a_i = 2n(1 - \frac{1}{\sqrt{n}})^i$ for $i \in [m]$;
 - 2 Take k samples $X_0^{(1)}, \dots, X_0^{(k)}$ from π_0 ;
 - 3 **for** $i \in [m]$ **do**
 - 4 Take k samples from π_i with error parameter δ and starting points $X_{i-1}^{(1)}, \dots, X_{i-1}^{(k)}$, giving points $X_i^{(1)}, \dots, X_i^{(k)}$;
 - 5 Compute $V_i = \frac{1}{k} \sum_{j=1}^k e^{(a_i - a_{i+1})(X_i^{(j)})_0}$;
 - 6 Return $n! v_n (2n)^{-(n+1)} V_1 \dots V_m$ as the estimate of the volume of K' , where $v_n := \pi^{\frac{n}{2}} / \Gamma(1 + \frac{n}{2})$ is the volume of the n -dimensional unit ball;
-

4.2 Quantum algorithm for volume estimation

As introduced in Section 1.2, our quantum algorithm has four main improvements that contribute to the quantum speedup of Algorithm 2:

1. We replace the classical hit-and-run walk in Section 2.4 by a quantum hit-and-run walk, defined using the framework of Section 3. Classically, the hit-and-run walk mixes in $\tilde{O}(n^3)$ steps in a well-rounded convex body given a warm start (see Theorem 2.4). Quantumly, we can use the quantum hit-and-run walk operator to prepare its stationary state given a warm start state using only $\tilde{O}(n^{1.5})$ queries to the membership oracle for the well-rounded convex body.

2. We replace the simulated annealing framework in [Algorithm 2](#) by the quantum MCMC framework described in [Section 2.2](#). Classically, we sample from π_i in the i^{th} iteration by running the classical hit-and-run walk starting from the samples taken in the $(i-1)^{\text{st}}$ iteration. Quantumly, we prepare the quantum sample $|\pi_i\rangle$ in the i^{th} iteration by applying $\pi/3$ -amplitude amplification to a quantum sample produced in the $(i-1)^{\text{st}}$ iteration, where the unitaries in the $\pi/3$ -amplitude amplification are implemented by phase estimation of the quantum hit-and-run walk operators as in [\(2.8\)](#).
3. We use the quantum Chebyshev inequality (see [Section 2.3](#)) to give a quadratic quantum speedup in ϵ^{-1} when taking the average $e^{(a_i - a_{i+1})(\bar{X}_i)_0}$ in [Line 5](#) of [Algorithm 2](#). However, we must be cautious because the resulting points $X_i^{(1)}, \dots, X_i^{(k)}$ in [Line 4](#) follow the distribution π_i , which varies in different iterations of simulated annealing. Instead, our quantum algorithm must be *nondestructive*: it must still have a copy of $|\pi_i\rangle$ after estimating the average $e^{(a_i - a_{i+1})(\bar{X}_i)_0}$, so that we can map this state to $|\pi_{i+1}\rangle$ by $\pi/3$ -amplitude amplification for the next iteration. This is achieved in [Section 4.3.3](#).
4. The proof of [Algorithm 2](#) assumes $D = R/r = O(\sqrt{n})$, i.e., K is “well-rounded”. In [Section 4.4](#), we present a quantum algorithm ([Algorithm 4](#)) for rounding K to satisfy this condition. The classical rounding algorithm in Ref. [\[41\]](#) is based on a result of Rudelson [\[51\]](#). The high-level idea is to uniformly sample $\tilde{O}(n)$ points in the convex body to be rounded and compute an affine transformation that make these points well-rounded. Since being well-rounded is a precondition for uniform sampling to be efficient, this algorithm alternates between sampling and rounding steps, well-rounding part of the convex body in each step. Here, we also use the quantum MCMC framework (see [Section 2.2](#)) to achieve a speedup for the uniform sampling in each step: the uniform distribution state for the current step can be mapped to the uniform distribution state for the next step via $\pi/3$ -amplitude amplification. The affine transformation can be computed coherently using nondestructive mean estimation.

[Algorithm 3](#) describes our quantum volume estimation algorithm for well-rounded convex bodies (see also a quantum circuit for this algorithm in [Figure 3](#)). By preprocessing a general convex body by our quantum rounding algorithm in [Algorithm 4](#), we achieve the following:

Theorem 1.1 (Main Theorem). *Let $K \subset \mathbb{R}^n$ be a convex set with $B_2(0, r) \subseteq K \subseteq B_2(0, R)$. Assume $0 < \epsilon < 1/2$. Then there is a quantum algorithm that returns a value $\widetilde{\text{Vol}}(K)$ satisfying*

$$\frac{1}{1 + \epsilon} \text{Vol}(K) \leq \widetilde{\text{Vol}}(K) \leq (1 + \epsilon) \text{Vol}(K) \quad (1.4)$$

using $\tilde{O}(n^{3.5} + n^{2.5}/\epsilon)$ quantum queries to the membership oracle O_K (defined in [\(1.3\)](#)) and $\tilde{O}(n^{5.5} + n^{4.5}/\epsilon)$ additional arithmetic operations.

More generally, our framework could be used to provide quantum speedup for any classical simulated annealing algorithm based on Chebyshev cooling, which might be of independent interest.

Following the discussion in [Section 1.2](#), our proof can be described at three levels:

High level (the simulated annealing framework) In [Section 4.3.1](#), we show how to estimate $\text{Vol}(K)$ given an estimate of the volume of the pencil construction, $\text{Vol}(K')$:

Lemma 4.1. *If we have access to $\widetilde{\text{Vol}}(K')$ such that*

$$\frac{1}{1 + \epsilon/2} \text{Vol}(K') \leq \widetilde{\text{Vol}}(K') \leq (1 + \epsilon/2) \text{Vol}(K') \quad (4.9)$$

Algorithm 3: Volume estimation of well-rounded K with $\tilde{O}(n^{2.5}/\epsilon)$ quantum queries.

Input: Membership oracle O_K for K ; $R = O(\sqrt{n})$ such that $B_2(0, 1) \subseteq K \subseteq B_2(0, R)$.

Output: ϵ -multiplicative approximation of $\text{Vol}(K)$.

- 1 Set $m = \Theta(\sqrt{n} \log(n/\epsilon))$ to be the number of iterations of simulated annealing and $a_i = 2n(1 - \frac{1}{\sqrt{n}})^i$ for $i \in [m]$. Let π_i be the probability distribution over K' with density proportional to $e^{-a_i x_0}$;
Set error parameters $\delta, \epsilon' = \Theta(\epsilon/m^2)$, $\epsilon_1 = \epsilon/2m$; let $k = \tilde{\Theta}(\sqrt{n}/\epsilon)$ be the number of copies of stationary states for applying the quantum Chebyshev inequality;
Prepare ks (approximate) copies of $|\pi_0\rangle$, denoted $|\tilde{\pi}_0^{(1)}\rangle, \dots, |\tilde{\pi}_0^{(k)}\rangle$;
 - 2 **for** $i \in [m]$ **do**
 - 3 Use the quantum Chebyshev inequality on the k copies of the state $|\tilde{\pi}_{i-1}\rangle$ with parameters ϵ_1, δ to estimate the expectation $\mathbb{E}_{\pi_i}[V_i]$ (in Eq. (4.7)) as \tilde{V}_i (Lemma 4.9 and Figure 4). The post-measurement states are denoted $|\hat{\pi}_{i-1}^{(1)}\rangle, \dots, |\hat{\pi}_{i-1}^{(k)}\rangle$;
 - 4 Apply $\pi/3$ -amplitude amplification with error ϵ' (Section 2.2 and Lemma 4.8) to map $|\hat{\pi}_{i-1}^{(1)}\rangle, \dots, |\hat{\pi}_{i-1}^{(k)}\rangle$ to $|\tilde{\pi}_i^{(1)}\rangle, \dots, |\tilde{\pi}_i^{(k)}\rangle$ (approximate) copies of the stationary distribution $|\pi_i\rangle$ for use in the next iteration, using the quantum hit-and-run walk;
 - 5 Compute an estimate $\widetilde{\text{Vol}}(K') = n!v_n(2n)^{-(n+1)}\tilde{V}_1 \dots \tilde{V}_m$ of the volume of K' , where v_n is the volume of the n -dimensional unit ball;
 - 6 Use $\widetilde{\text{Vol}}(K')$ to estimate the volume of K as $\widetilde{\text{Vol}}(K)$ (Section 4.3.1).
-

with probability at least 0.7, then we can return a value $\widetilde{\text{Vol}}(K)$ such that

$$\frac{1}{1+\epsilon} \text{Vol}(K) \leq \widetilde{\text{Vol}}(K) \leq (1+\epsilon) \text{Vol}(K) \quad (4.10)$$

holds with probability at least 2/3, using $\tilde{O}(n^{2.5}/\epsilon)$ quantum queries to the membership oracle O_K .

In Section 4.3.2, we prove that the inner product between stationary states of consecutive simulated annealing steps is at least a constant:

Lemma 4.2. *Let $|\pi_i\rangle$ be the stationary distribution state of the quantum walk W_i for $i \in [m]$ defined in (3.54). For $n \geq 2$, we have $\langle \pi_i | \pi_{i+1} \rangle > 1/3$ for $i \in [m-1]$.*

This allows $\pi/3$ -amplitude amplification to transform the stationary state of one Markov chain to that of the next. The total number of iterations of $\pi/3$ -amplitude amplification is thus $\tilde{O}(\sqrt{n})$, just as in the classical volume estimation algorithm of [42].

Middle level (each telescoping ratio) In Section 4.3.3, we describe how we apply the quantum Chebyshev inequality (Theorem 2.3) to the Chebyshev cooling schedule.

Lemma 4.3. *Given $\tilde{O}(\log(1/\delta)/\epsilon)$ copies of the quantum states $|\pi_{i-1}\rangle$, there exists a quantum algorithm that outputs an estimate of $\mathbb{E}_{\pi_i}[V_i]$ (in Eq. (4.7)) with relative error less than ϵ with probability at least $1 - O(\delta)$.*

Furthermore, we show how to make Lemma 4.3 nondestructive on the stationary states. Because the relative error for estimating the volume via Chebyshev cooling is $\Theta(\epsilon/m) = \tilde{\Theta}(\epsilon/\sqrt{n})$, Lemma 4.3 implies that $O(\log(1/\delta)/(\epsilon/\sqrt{n})) = \tilde{O}(\sqrt{n}/\epsilon)$ copies of the stationary state suffice for the simulated annealing framework.

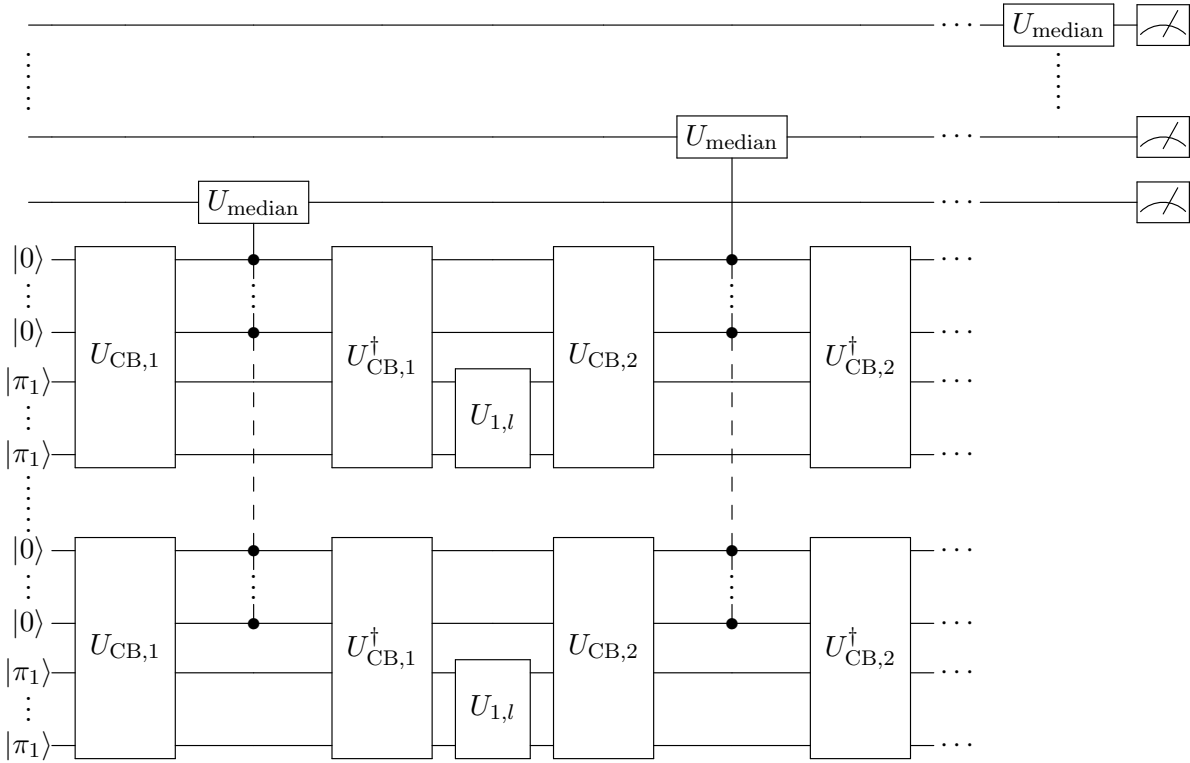


Figure 3: The quantum circuit for [Algorithm 3](#). Here $U_{CB,i}$ is the circuit of the quantum Chebyshev inequality ([Theorem 2.3](#)) in the i^{th} iteration and $U_{i,l}$ is $\pi/3$ -amplitude amplification from $|\pi_i\rangle$ to $|\pi_{i+1}\rangle$.

Low level (the quantum hit-and-run walk) In [Section 4.3.4](#), we give a careful analysis of the errors coming from the quantum Chebyshev inequality as well as the $\pi/3$ -amplitude amplification:

Lemma 4.4. *Given $\tilde{O}(\log(1/\delta)/\epsilon_1)$ copies of a state $|\tilde{\pi}_{i-1}\rangle$ such that $\| |\tilde{\pi}_{i-1}\rangle - |\pi_{i-1}\rangle \| \leq \epsilon_1$, there exists a quantum procedure (using $\pi/3$ -amplitude amplification and the quantum Chebyshev inequality) that outputs a \tilde{V}_i such that $|\tilde{V}_i - \mathbb{E}_{\pi_i}[V_i]| \leq \epsilon_1 \mathbb{E}_{\pi_i}[V_i]$ (where $\mathbb{E}_{\pi_i}[V_i]$ is defined in [Eq. \(4.7\)](#)) with success probability $1 - \delta^4$ using $\tilde{O}(n^{3/2} \log(1/\delta)/\epsilon_1 + n^{3/2} \log(1/\epsilon'))$ calls to the membership oracle and returns a final state $|\tilde{\pi}_i\rangle$ such that $\| |\tilde{\pi}_i\rangle - |\pi_i\rangle \| = O(\epsilon_1 + \delta + \epsilon')$.*

Having the four lemmas above from all the three levels, we establish [Theorem 1.1](#) as follows.

Proof of [Theorem 1.1](#). We prove the correctness and analyze the cost separately.

Correctness By [Lemma 4.1](#), it suffices to compute the volume of the pencil construction K' to relative error $\epsilon/2$ with probability at least 0.7 in order to compute the volume of the well-rounded convex body K . This is computed as a telescoping sum of $m = O(\sqrt{n} \log n / \epsilon)$ products of the form $Z(a_{i+1})/Z(a_i)$. The random variable V_i is an unbiased estimator for $Z(a_{i+1})/Z(a_i)$, i.e., $\mathbb{E}_{\pi_i}[V_i] = Z(a_{i+1})/Z(a_i)$. Consider applying [Lemma 4.4](#) m times with $\delta, \epsilon' = \Theta(\epsilon/8m^2)$ and $\epsilon_1 = \epsilon/2m$. At each iteration i we have a state $|\tilde{\pi}_{i-1}\rangle$ such that $\| |\tilde{\pi}_{i-1}\rangle - |\pi_{i-1}\rangle \| \leq O(\epsilon/4m)$. Thus each telescoping sum can be computed with a relative error of $\epsilon/2m$, resulting in a relative error of less than $\epsilon/2$ for the final volume. The probability of success for each iteration is at least $1 - \delta^4 = 1 - \Theta(\epsilon^4/4m^8)$. Thus the probability of success for the whole algorithm is at least $1 - \Theta(\epsilon^4/4m^7) = 1 - \tilde{O}(\epsilon^{11}/n^{3.5})$, which is greater than 0.7 for a large enough n .

Cost From [Lemma 4.4](#), the number of calls to the membership oracle in each iteration is $\tilde{O}(n^{3/2} \log(1/\delta)/\epsilon_1 + n^{3/2} \log(1/\epsilon')) = \tilde{O}(n^2/\epsilon)$. The total number of oracle calls is thus $\tilde{O}(n^{2.5}/\epsilon)$. The argument for correctness above applies for well-rounded convex bodies. If the body is not well-rounded, we apply [Algorithm 4](#) to transform it into a well-rounded body by an affine transformation. By [Proposition 4.4](#), this procedure uses $\tilde{O}(n^{3.5})$ calls to the membership oracle, resulting in a final query complexity of $\tilde{O}(n^{3.5} + n^{2.5}/\epsilon)$. Since the affine transformation is an n -dimensional matrix-vector product, the number of additional arithmetic operations is hence $O(n^2) \cdot \tilde{O}(n^{3.5} + n^{2.5}/\epsilon) = \tilde{O}(n^{5.5} + n^{4.5}/\epsilon)$. \square

4.3 Proofs of lemmas in [Section 4.2](#)

We now prove the lemmas in [Section 4.2](#) that establish [Theorem 1.1](#).

4.3.1 From the pencil construction to the original convex body

Here we prove

Lemma 4.1. *If we have access to $\widetilde{\text{Vol}}(\mathbb{K}')$ such that*

$$\frac{1}{1 + \epsilon/2} \text{Vol}(\mathbb{K}') \leq \widetilde{\text{Vol}}(\mathbb{K}') \leq (1 + \epsilon/2) \text{Vol}(\mathbb{K}') \quad (4.9)$$

with probability at least 0.7, then we can return a value $\widetilde{\text{Vol}}(\mathbb{K})$ such that

$$\frac{1}{1 + \epsilon} \text{Vol}(\mathbb{K}) \leq \widetilde{\text{Vol}}(\mathbb{K}) \leq (1 + \epsilon) \text{Vol}(\mathbb{K}) \quad (4.10)$$

holds with probability at least 2/3, using $\tilde{O}(n^{2.5}/\epsilon)$ quantum queries to the membership oracle $O_{\mathbb{K}}$.

Proof. We follow the same notation in [Section 4.1](#), i.e., without loss of generality we assume that $r = 1$ and denote $D = R/r = R$. In other words, the pencil construction is

$$\mathbb{K}' := ([0, 2D] \times \mathbb{K}) \cap \left\{ x \in \mathbb{R}^{n+1} : x_0 \geq 0, \sum_{i=1}^n x_i^2 \leq x_0^2 \right\}. \quad (4.11)$$

By the definition of D , for any $(x_1, \dots, x_n) \in \mathbb{K}$ we have $\sum_{i=1}^n x_i^2 \leq D^2$, so $[D, 2D] \times \mathbb{K} \subseteq \mathbb{K}'$. This implies that $D \text{Vol}(\mathbb{K}) \leq \text{Vol}(\mathbb{K}') \leq 2D \text{Vol}(\mathbb{K})$. In other words, letting $\xi_{\mathbb{K}} := \frac{\text{Vol}(\mathbb{K}')}{2D \text{Vol}(\mathbb{K})}$, we have $0.5 \leq \xi_{\mathbb{K}} \leq 1$.

Classically, we consider a Monte Carlo approach to approximating $\text{Vol}(\mathbb{K})$: we take k (approximately) uniform samples x_1, \dots, x_k from $[0, 2D] \times \mathbb{K}$, and if k' of them are in \mathbb{K}' , we return $\frac{k'}{k} \cdot \widetilde{\text{Vol}}(\mathbb{K}')$. For each $i \in [k]$, $\delta[x_i \in \mathbb{K}']$ is a boolean random variable with expectation $\xi_{\mathbb{K}} = \Theta(1)$. Any boolean random variable has variance $O(1)$. Therefore, by Chebyshev's inequality, taking $k = O(1/\epsilon^2)$ suffices to ensure that

$$\Pr \left[\left| \frac{k'}{k} - \xi_{\mathbb{K}} \right| \leq \frac{\epsilon \xi_{\mathbb{K}}}{2} \right] \geq 0.99. \quad (4.12)$$

Quantumly, we adopt the same Monte Carlo approach but we implement two steps using quantum techniques:

- We take an approximately uniform sample from $[0, 2D] \times K$ via the quantum hit-and-run walk. To obtain a quantum stationary state, we use a similar idea as in [19] to construct a sequence of $m = \lceil n \log_2(2D) \rceil$ convex bodies. Let $\hat{K}_0 := B$ and $\hat{K}_i := 2^{i/n} B_n \cap K'$ for $i \in [m]$. As the length of the pencil is $2D$, $\hat{K}_m = K'$. The state $|\pi_0\rangle$ corresponding to \hat{K}_0 is easy to prepare. It is straightforward to verify that $\langle \pi_i | \pi_{i+1} \rangle \geq c$ for some constant c , as $\text{Vol}(\hat{K}_{i+1}) \leq 2 \text{Vol}(\hat{K}_i)$. To utilize the quantum speedup for MCMC framework (Theorem 2.1), it remains to lower bound the phase gap of the quantum walk operator for \hat{K}_i . By the conductance of hit-and-run walk (Proposition 2.4) and Cheeger's inequality (Theorem 3.2), the phase gap of the quantum walk operator is $\Omega(n^{-1.5})$. Thus, by Theorem 2.1, $|\pi_m\rangle$ can be prepared using $\tilde{O}(n) \cdot O(n^{1.5}) = \tilde{O}(n^{2.5})$ quantum queries to O_K .
- We estimate ξ_K with multiplicative error $\epsilon/2$ using the quantum Chebyshev inequality (Theorem 2.3) instead of its classical counterpart. This means that $O(1/\epsilon)$ executions of quantum sampling in the first step suffice.

Overall, $\tilde{O}(n^{2.5}/\epsilon)$ quantum queries to O_K suffice to ensure that we obtain an estimate of ξ_K within multiplicative error $\epsilon/2$ with success probability at least 0.99. Since (4.9) ensures that $\widetilde{\text{Vol}}(K')$ estimates $\text{Vol}(K')$ up to multiplicative error $\epsilon/2$ with probability at least 0.7, $\frac{\widetilde{\text{Vol}}(K')}{2D\xi_K}$ estimates $\text{Vol}(K)$ up to multiplicative error $\epsilon/2 + \epsilon/2 = \epsilon$ with success probability $0.99 \cdot 0.7 > 2/3$. \square

4.3.2 Inner product between stationary states of consecutive steps

We now show that the inner product between stationary states of consecutive steps is at least a constant. More precisely, we have the following:

Lemma 4.2. *Let $|\pi_i\rangle$ be the stationary distribution state of the quantum walk W_i for $i \in [m]$ defined in (3.54). For $n \geq 2$, we have $\langle \pi_i | \pi_{i+1} \rangle > 1/3$ for $i \in [m-1]$.*

Proof. Recall that the stationary distribution π_i of step i has density proportional to $e^{-a_i x_0}$ as discussed in Section 4.1. The corresponding stationary distribution state is $|\pi_i\rangle = \int_{K'} dx \sqrt{\frac{e^{-a_i x_0}}{Z(a_i)}} |x\rangle$. Reference [42, Lemma 3.2] proves that $a^{n+1}Z(a)$ is log-concave (noting that the dimension of K' is $n+1$). This implies that

$$\sqrt{a_i^{n+1}Z(a_i)}\sqrt{a_{i+1}^{n+1}Z(a_{i+1})} \leq \left(\frac{a_i + a_{i+1}}{2}\right)^{n+1} Z\left(\frac{a_i + a_{i+1}}{2}\right). \quad (4.13)$$

Now, we have

$$\langle \pi_i | \pi_{i+1} \rangle = \int_{K'} dx \frac{\exp\left(-\frac{a_i + a_{i+1}}{2} x_0\right)}{\sqrt{Z(a_i)}\sqrt{Z(a_{i+1})}} \quad (4.14)$$

$$\geq \left(\frac{2\sqrt{a_i}\sqrt{a_{i+1}}}{a_i + a_{i+1}}\right)^{n+1} \frac{\int_{K'} dx \exp\left(-\frac{a_i + a_{i+1}}{2} x_0\right)}{Z\left(\frac{a_i + a_{i+1}}{2}\right)} \quad (4.15)$$

$$= \left(\frac{2\sqrt{a_i}\sqrt{a_{i+1}}}{a_i + a_{i+1}}\right)^{n+1} \quad (4.16)$$

$$= \left(\frac{2\sqrt{a_i}\sqrt{a_i\left(1 - \frac{1}{\sqrt{n}}\right)}}{a_i + a_i\left(1 - \frac{1}{\sqrt{n}}\right)}\right)^{n+1} = \left(\frac{2\sqrt{1 - \frac{1}{\sqrt{n}}}}{2 - \frac{1}{\sqrt{n}}}\right)^{n+1}, \quad (4.17)$$

where the inequality follows from (4.13). To lower bound the above quantity, we use the fact that $\sqrt{1 - 1/\sqrt{n}} \geq 1 - \frac{1}{2\sqrt{n}} - \frac{1}{2n}$. Hence, for $n \geq 2$ we have

$$\langle \pi_i | \pi_{i+1} \rangle \geq \left(\frac{2 - \frac{1}{\sqrt{n}} - \frac{1}{n}}{2 - \frac{1}{\sqrt{n}}} \right)^{n+1} = \left(1 - \frac{\frac{1}{n}}{2 - \frac{1}{\sqrt{n}}} \right)^{n+1} \geq \left(1 - \frac{1}{(2 - \frac{1}{\sqrt{2}})n} \right)^{n+1} > \frac{1}{3} \quad (4.18)$$

as claimed. \square

4.3.3 Chebyshev cooling and nondestructive mean estimation

Now we briefly review the classical framework for Chebyshev cooling and discuss how to adapt it to quantum algorithms. Suppose we want to compute the expectation of a product

$$V = \prod_{i=1}^m V_i \quad (4.19)$$

of independent random variables. The following theorem of Dyer and Frieze [18] upper bounds the number of samples from the V_i that suffices to estimate $\mathbb{E}[V]$ with bounded relative error.

Proposition 4.1 ([18, Section 4.1]). *Let V_1, \dots, V_m be independent random variables such that $\frac{\mathbb{E}[V_i^2]}{\mathbb{E}[V_i]^2} \leq B$ for all $i \in [m]$. Let $X_j^{(1)}, \dots, X_j^{(k)}$ be k samples of V_j for $j \in [m]$, and define $\bar{X}_j = \frac{1}{k} \sum_{\ell=1}^k X_j^{(\ell)}$. Let $V = \prod_{j=1}^m V_j$ and $X = \prod_{j=1}^m \bar{X}_j$. Then, taking $k = 16Bm/\epsilon^2$ ensures that*

$$\Pr \left[(1 - \epsilon)\mathbb{E}[V] \leq X \leq (1 + \epsilon)\mathbb{E}[V] \right] \geq \frac{3}{4}. \quad (4.20)$$

With standard techniques, the probability can be boosted to $1 - \delta$ with a $\log(1/\delta)$ overhead.

In applications such as volume estimation [41] and estimating partition functions [57], the samples are produced by a random walk. Let the mixing time for each random walk be at most T . Then the total complexity for estimating $\mathbb{E}[V]$ with success probability $1 - \delta$ is $O(TBm \log(1/\delta)/\epsilon^2)$. Replacing the random walk with a quantum walk can potentially improve the mixing time; see [Section 1.3.2](#) for relevant literature. In particular, Montanaro [45] proposed a quantum algorithm for the simulated annealing framework with complexity $\tilde{O}(TBm \log(1/\delta)/\epsilon)$, which has a quadratic improvement in precision. Note that the dependence on T was not improved, as multiple copies of quantum states were prepared for the mean estimation (which uses measurements). In this paper, we use the quantum Chebyshev inequality (see [Theorem 2.3](#)) to estimate the expectation of V_i in a nondestructive manner which, together with [Theorem 2.1](#), achieves complexity $\tilde{O}(\sqrt{TBm} \log(1/\delta)/\epsilon)$.

The random variables V_i (determined by the cooling schedule) satisfy the following:

Proposition 4.2 (Eq. (4.8)). *Let X be a random sample from π_i and let $V_i = e^{(a_i - a_{i+1})X_0}$. Then*

$$\frac{\mathbb{E}_{\pi_i}[V_i^2]}{\mathbb{E}_{\pi_i}[V_i]^2} \leq 8. \quad (4.21)$$

The following lemma uses this property of the simulated annealing procedure to show that the quantum Chebyshev inequality can be used to estimate the mean of V_i on the distribution π_i , which gives an estimate of the ratio $\frac{Z(a_{i+1})}{Z(a_i)}$ in the volume estimation algorithm. We first show that our random variables can be made to satisfy the conditions of [Theorem 2.3](#), and then we outline how the corresponding circuit can be implemented. A detailed error analysis is deferred to [Section 4.3.4](#).

Lemma 4.3. *Given $\tilde{O}(\log(1/\delta)/\epsilon)$ copies of the quantum states $|\pi_{i-1}\rangle$, there exists a quantum algorithm that outputs an estimate of $\mathbb{E}_{\pi_i}[V_i]$ (in Eq. (4.7)) with relative error less than ϵ with probability at least $1 - O(\delta)$.*

Proof. We achieve nondestructive mean estimation by the quantum Chebyshev inequality ([Theorem 2.3](#)). For the random variables V_i , we let μ_i denote their mean and σ_i^2 their variance. From [Proposition 4.2](#), $\sqrt{\sigma_i^2 - \mu_i^2}/\mu_i \leq \sqrt{8} < 3$. For a small constant c , we use $\log(1/\delta)/c^2$ copies of $|\pi_{i-1}\rangle$ to create copies of $|\pi_i\rangle$ using $\pi/3$ -amplitude amplification. We now use a quantum circuit that given $|x\rangle|0\rangle$ computes $|x\rangle|e^{a_i x_0 - a_{i-1} x_0}\rangle$, and then apply a circuit U_{median} that computes the median of all the ancilla registers:

$$U_{\text{median}}|0\rangle|a_1\rangle \cdots |a_s\rangle = |\text{median}\{a_1, \dots, a_s\}\rangle|a_1\rangle \cdots |a_s\rangle. \quad (4.22)$$

By the classical Chebyshev inequality, we measure $\hat{\mu}_i$ such that $|\hat{\mu}_i - \mu_i| \leq c\mu_i$ with probability at least $1 - \delta$. Thus the probability that $\hat{\mu}_i/(1 - c) < \mu$ is less than δ . Taking $H = \hat{\mu}_i/(1 - c)$, our variables satisfy the conditions of the quantum Chebyshev inequality. In order to output an estimate of the mean with relative error at most ϵ , the quantum Chebyshev inequality now requires $\tilde{O}(\log(1/\delta)/\epsilon)$ calls to a sampler for the state $|\pi_i\rangle$, which we construct using $\pi/3$ -amplitude amplification on copies of $|\pi_{i-1}\rangle$. By the union bound, the probability of failure of the whole procedure is $O(\delta)$.

To be more specific, we replace $U|0\rangle$ in [BasicEst](#) ([Algorithm 1](#)) by $U_{i-1,l}|\pi_{i-1}\rangle$, and replace \mathcal{Q} by $-U_{i-1,l}(\Pi_{i-1} - \Pi_{i-1}^\perp)U_{i-1,l}^\dagger(\Pi_i - \Pi_i^\perp)$ (where $\Pi_i = |\pi_i\rangle\langle\pi_i|$ and $\Pi_i^\perp = I - \Pi_i$ for all $i \in [m]$). The quantum circuit for nondestructive [BasicEst](#) is shown in [Figure 4](#). Here, we run $\Theta(\log(1/\delta))$ executions of amplitude estimation ([Figure 2](#)) in parallel, take their median using (4.22), and finally run inverse amplitude estimations. This circuit is nondestructive because the states $|\pi_i\rangle$ are recovered after implementing the inverse amplitude amplifications, and a measurement that has a high probability of a single outcome does not disturb the input quantum state by much. The correctness follows from the proof of [Theorem 2.3](#) in [25]. A detailed error analysis is given in the next section (see [Lemma 4.9](#)). \square

4.3.4 Error analysis

In this section, we analyze the error incurred by both the quantum Chebyshev inequality ([Line 3](#)) and $\pi/3$ -amplitude amplification ([Line 4](#)) in [Algorithm 3](#).

Lemma 4.4. *Given $\tilde{O}(\log(1/\delta)/\epsilon_1)$ copies of a state $|\tilde{\pi}_{i-1}\rangle$ such that $\| |\tilde{\pi}_{i-1}\rangle - |\pi_{i-1}\rangle \| \leq \epsilon_1$, there exists a quantum procedure (using $\pi/3$ -amplitude amplification and the quantum Chebyshev inequality) that outputs a \tilde{V}_i such that $|\tilde{V}_i - \mathbb{E}_{\pi_i}[V_i]| \leq \epsilon_1 \mathbb{E}_{\pi_i}[V_i]$ (where $\mathbb{E}_{\pi_i}[V_i]$ is defined in Eq. (4.7)) with success probability $1 - \delta^4$ using $\tilde{O}(n^{3/2} \log(1/\delta)/\epsilon_1 + n^{3/2} \log(1/\epsilon'))$ calls to the membership oracle and returns a final state $|\tilde{\pi}_i\rangle$ such that $\| |\tilde{\pi}_i\rangle - |\pi_i\rangle \| = O(\epsilon_1 + \delta + \epsilon')$.*

We first show that $\pi/3$ -amplitude amplification can be used to rotate $|\pi_i\rangle$ into $|\pi_{i-1}\rangle$ with error ϵ' using $\tilde{O}(\log(1/\epsilon'))$ oracle calls. This procedure is used as a subroutine in a mean estimation circuit that estimates the mean of the random variable V_i using multiple approximate copies of $|\pi_{i-1}\rangle$. We ensure that the measurement probabilities are highly peaked so that the state is not disturbed very much. Finally $\pi/3$ -amplitude estimation is used again to rotate the approximate copies of the state $|\pi_{i-1}\rangle$ to approximate copies of the state $|\pi_i\rangle$.

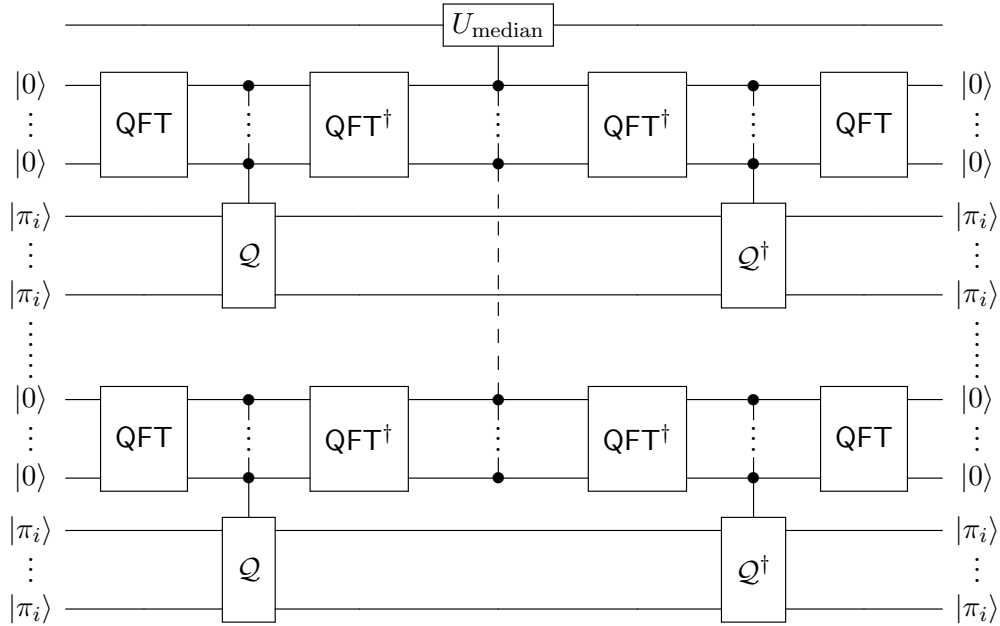


Figure 4: The quantum circuit for nondestructive BasicEst.

Large effective spectral gap Consider an ergodic, reversible Markov chain (Ω, p) with transition matrix P and a unique stationary distribution with density π . Let $a(x)$ be a probability measure over Ω such that the Markov chain mixes to its stationary distribution with a corresponding probability density $\pi(x)$ within a total variation distance of ϵ within t steps. From the definition of the transition matrix $P(x, y) = \langle x|P|y \rangle = p_{y \rightarrow x}$.

The discriminant matrix D defined in (3.10) is related to the transition matrix as $P = D_\pi D D_\pi^{-1}$, as shown in (3.53). For a hit-and-run walk, the transition matrix P maps a density concentrated at one point to a uniform density over a compact subset of \mathbb{R}^n . Thus a convergent sequence of distributions is still convergent after one step of the walk, and P is a compact linear operator. Since D is similar to P , D is a compact Hermitian operator over $L_2(\Omega)$ and thus has a countable set of real eigenvalues λ_i and corresponding orthonormal eigenvectors (eigenfunctions) $v_i \in L_2(\Omega)$. Orthonormality implies that $\int_\Omega v_i(x)v_j(x) dx = \delta_{i,j}$. Notice that

$$P D_\pi v_i = D_\pi D(v_i) = \lambda_j D_\pi v_i; \quad (4.23)$$

thus $f_i = D_\pi v_i$ is an eigenvector of P' with eigenvalue λ_i . The eigenvectors f_i may not be orthogonal under the standard inner product on $L_2(\Omega)$. However, we can define an inner product

$$\langle f, g \rangle_\pi := \langle D_\pi^{-1} f, D_\pi^{-1} g \rangle = \int_\Omega \frac{f(x)g(x)}{\pi(x)} dx \quad (4.24)$$

over the space $L_2(\Omega)$. It is easy to see that $\langle f_i, f_j \rangle_\pi = \langle \phi_i, \phi_j \rangle = \delta_{i,j}$.

It can be verified that $\sqrt{\pi}(x)$ is an eigenfunction of D with eigenvalue 1. Thus the stationary state $\pi(x)$ is an eigenfunction of the transition operator P with eigenvalue 1. Since P is stochastic, this is the leading eigenvalue. The eigenfunctions of P are thus $1, \lambda_1, \lambda_2, \dots$ with corresponding eigenfunctions $\pi(x), f_2(x), f_3(x), \dots$. From the orthonormality of the f under $\langle \cdot, \cdot \rangle_\pi$, for any

function g in $L_2(\Omega)$ we have

$$g = \sum_{i=1}^{\infty} \langle g, f_i \rangle_{\pi} f_i = \langle g, \pi \rangle + \sum_{i=2}^{\infty} \langle g, f_i \rangle_{\pi} f_i \quad (4.25)$$

$$= \left(\int_{\Omega} \frac{g(x)\pi(x)}{\pi(x)} dx \right) \pi + \sum_{i=2}^{\infty} \langle g, f_i \rangle_{\pi} f_i \quad (4.26)$$

$$= \left(\int_{\Omega} g(x) dx \right) \pi + \sum_{i=2}^{\infty} \langle g, f_i \rangle_{\pi} f_i. \quad (4.27)$$

Since a is a probability density, $a = \pi + \sum_{i=2}^{\infty} \langle a, f_i \rangle_{\pi} f_i$. After t steps of the Markov chain M on a we obtain the state $P^t a = \pi + \sum_{i=2}^{\infty} \lambda_i^t \langle a, f_i \rangle_{\pi} f_i$. Since $\|P^t a - \pi\|_2 \leq \epsilon$, we have $\|\sum_{i=2}^{\infty} \lambda_i^t \langle a, f_i \rangle_{\pi} f_i\| \leq \epsilon$ and from the orthonormality of f , $\langle a, f_i \rangle_{\pi} \lambda_i^t \leq \epsilon$. If $1 > \lambda_i \geq 1 - \frac{1}{O(t)}$ then $\lambda_i^t = \Omega(1)$ and $\langle a, f_i \rangle_{\pi} = O(\epsilon)$.

The above analysis indicates that if a probability density a mixes in t steps under a Markov chain (Ω, p) , then it has small overlap with each of the “bad” eigenfunctions (with spectral gap less than $\frac{1}{O(t)}$). Thus P effectively has a large spectral gap when it acts on a .

Corresponding to a , consider the quantum states

$$|a\rangle := \int_{\Omega} \sqrt{a(x)} |x\rangle dx, \quad |\phi_a\rangle := \int_{\Omega} \int_{\Omega} \sqrt{a_x p_{x \rightarrow y}} |x\rangle |y\rangle dx dy. \quad (4.28)$$

For an eigenvector v_i of D (with eigenvalue λ_i), define the state $|v_i\rangle := \int_{\Omega} v_i(x) dx = \int_{\Omega} \frac{f_i(x)}{\sqrt{\pi(x)}} dx$.

Then the walk operator W has the corresponding eigenvector $|u_i\rangle = (I - (\lambda_i - i\sqrt{1 - \lambda_i^2})S)T|v_i\rangle$.

Let $C_i := \lambda_i - i\sqrt{1 - \lambda_i^2}$; then $\langle \phi_a | u_i \rangle = \langle \phi_a | T | v_i \rangle - C_i \langle \phi_a | ST | u_i \rangle$. Furthermore,

$$\langle \phi_a | T | v_i \rangle = \langle a | v_i \rangle = \int_{\Omega} \frac{\sqrt{a(x)} f_i(x)}{\sqrt{\pi(x)}} dx, \quad (4.29)$$

and

$$\langle \phi_a | ST | v_i \rangle = \left(\int_{\Omega} \sqrt{a_x p_{x \rightarrow y}} \langle y | \langle x | \right) \left(\int_{\Omega} \sqrt{v_{x'} p_{x' \rightarrow y'}} |x'\rangle |y'\rangle \right) \quad (4.30)$$

$$= \int_{\Omega} \sqrt{a_x} \left(\int_{\Omega} \sqrt{p_{x \rightarrow y} p_{y \rightarrow x}} v_i(y) dy \right) dx \quad (4.31)$$

$$= \int_{\Omega} \sqrt{a_x} (Dv_i)(x) dx \quad (4.32)$$

$$= \lambda_i \int_{\Omega} \sqrt{a_x} v_i(x) \quad (4.33)$$

$$= \lambda_i \langle a | v_i \rangle. \quad (4.34)$$

We have $\langle \phi_a | u_i \rangle = (1 - \lambda_i C_i) \langle a | v_i \rangle$ and therefore

$$|\langle \phi_a | u_i \rangle| = |(1 - \lambda_i C_i)| \langle a | v_i \rangle = \sqrt{(1 - \lambda_i^2)^2 + (1 - \lambda_i)^2} \langle a | v_i \rangle \leq 2 \langle a | v_i \rangle. \quad (4.35)$$

In addition,

$$\langle a | v_i \rangle = \int_{\Omega} \frac{\sqrt{a(x)} f_i(x)}{\sqrt{\pi(x)}} dx = \int_{\Omega} \sqrt{\frac{\pi(x)}{a(x)}} \frac{a(x) f_i(x)}{\pi(x)} dx. \quad (4.36)$$

The above discussion establishes the following proposition indicating that if a distribution with density $a(x)$ mixes fast and the stationary distribution with density $\pi(x)$ has a bounded L_2 -norm with respect to $a(x)$, then the quantum walk operator W acting on the subspace spanned by $|\pi\rangle$ and $|a\rangle$ has a large spectral gap.

Proposition 4.3. *Let $M = (\Omega, p)$ be an ergodic reversible Markov chain with a transition operator P and unique stationary state with a corresponding density $\pi \in L_2(\Omega)$. Let $\{(\lambda_i, f_i)\}$ be the set of eigenvalues and eigenfunctions of P , and $|u_i\rangle$ be the eigenvectors of the corresponding quantum walk operator W . Let $a \in L_2(\Omega)$ be a probability density that mixes up to total variation distance ϵ in t steps of M . Furthermore, assume that $\int_{\Omega} \frac{\pi(x)}{a(x)} \pi(x) dx \leq c$ for some constant c . Define*

$$|a\rangle = \int_{\Omega} \sqrt{a(x)} |x\rangle dx; \quad (4.37)$$

$$|\phi_a\rangle = \int_{\Omega} \sqrt{a(x)} \int_{\Omega} \sqrt{p_{x \rightarrow y}} |x\rangle |y\rangle dx dy. \quad (4.38)$$

Then $\langle \phi_a | u_i \rangle = O(\epsilon^{1/2})$ for all i such that $1 > \lambda_i \geq 1 - \frac{1}{O(t)}$.

Proof. Define $S = \{x | \frac{\pi(x)}{a(x)} \geq \sqrt{\frac{c}{\epsilon}}\}$. Because $\int_{\Omega} \frac{\pi(x)^2}{a(x)^2} a(x) dx = \int_{\Omega} \frac{\pi(x)}{a(x)} \pi(x) dx \leq c$, Markov's inequality implies that $\int_S a(x) dx \leq \epsilon$.

We now define the quantum state $|a'\rangle$ such that $\langle x | a' \rangle = \langle x | a \rangle$ if $x \notin S$ and $\langle a | x' \rangle = 0$ otherwise, and $|\phi_{a'}\rangle = T|a'\rangle$. Then

$$\| |\phi_a\rangle - |\phi_{a'}\rangle \| = \left\| \int_S \sqrt{a(x)} T|x\rangle dx \right\| = \sqrt{\int_{\Omega} a(x) dx} = \sqrt{\epsilon}. \quad (4.39)$$

From (4.35) and (4.36), if $1 > \lambda_i \geq 1 - \frac{1}{O(t)}$, then

$$|\langle \phi_{a'} | u_i \rangle| \leq 2 \int_{\Omega} \sqrt{\frac{\pi(x)}{a(x)} \frac{a(x) f_i(x)}{\pi(x)}} dx \leq \frac{2c^{1/4} \langle a, f_i \rangle \pi}{\epsilon^{1/4}} \leq 2c^{1/4} \epsilon^{3/4}. \quad (4.40)$$

Finally,

$$\langle \phi_a | u_i \rangle = \langle \phi_{a'} | u_i \rangle + \langle \phi_a - \phi_{a'} | u_i \rangle \leq 2c^{1/4} \epsilon^{3/4} + \sqrt{\epsilon} = O(\sqrt{\epsilon}) \quad (4.41)$$

if $1 > \lambda_i \geq 1 - \frac{1}{O(t)}$. Hence the result follows. \square

Warmness of π_{i+1} with respect to π_i We show that density π_i mixes to π_{i+1} under the walk W_{i+1} and vice versa. To apply [Theorem 2.5](#), we show that the two distributions are warm with respect to each other.

The L_2 -norm of a distribution with density $\pi_1 \in L_2(\Omega)$ with respect to another with density $\pi_2 \in L_2(\Omega)$ is defined as

$$\|\pi_1/\pi_2\| = \mathbb{E}_{X \sim \pi_1} \left[\frac{\pi_1(X)}{\pi_2(X)} \right] = \int_{\Omega} \frac{\pi_1(x)}{\pi_2(x)} \pi_1(x) dx. \quad (4.42)$$

A density $\pi_1 \in L_2(\Omega)$ is said to be a warm start for $\pi_2 \in L_2(\Omega)$ if the L_2 -norm $\|\pi_1/\pi_2\|$ is bounded by a constant.

Lemma 4.5 ([42, Lemma 4.4]). *The L_2 -norm of the probability distribution with density $\pi_i = \frac{e^{-a_i x_0}}{Z(a_i)}$ with respect to that with density $\pi_{i+1} = \frac{e^{-a_{i+1} x_0}}{Z(a_{i+1})}$ is at most 8.*

Lemma 4.6. *The L_2 -norm of the probability distribution with density $\pi_{i+1} = \frac{e^{-a_{i+1} x_0}}{Z(a_{i+1})}$ with respect to that with density $\pi_i = \frac{e^{-a_i x_0}}{Z(a_i)}$ is at most 1.*

Proof. Since $a^n Z(a)$ is a log-concave function [42, Lemma 3.2], we have

$$\mathbb{E}_{X \sim \pi_{i+1}} \left[\frac{\pi_{i+1}(X)}{\pi_i(X)} \right] = \frac{\int_{K'} e^{(a_i - a_{i+1})x_0} e^{-a_{i+1}x_0} dx \int_{K'} e^{-a_i x_0} dx}{\int_{K'} e^{-a_{i+1}x_0} dx \int_{K'} e^{-a_{i+1}x_0} dx} \quad (4.43)$$

$$= \frac{Z(2a_{i+1} - a_i)Z(a_i)}{Z(a_{i+1})^2} \quad (\text{definition of } Z) \quad (4.44)$$

$$\leq \left(\frac{a_{i+1}^2}{a_i(2a_{i+1} - a_i)} \right)^{n+1} \quad (\text{logconcavity of } a^n Z(a)) \quad (4.45)$$

$$\leq \left(\frac{(1 - \frac{1}{\sqrt{n}})^2}{1 - \frac{2}{\sqrt{n}}} \right)^{n+1} \quad (\text{definition of } a_i) \quad (4.46)$$

$$\leq \left(1 - \frac{1}{n} \right)^{n+1} < 1 \quad (4.47)$$

as claimed. \square

Error analysis of $\pi/3$ -amplitude amplification Consider a simulated annealing procedure that follows a sequence of Markov chains M_1, M_2, \dots with steady states μ_1, μ_2, \dots . Consider an alternate walk operator (used in [61]) of the form

$$W'_i = U_i^\dagger S U_i R_{\mathcal{A}} U_i^\dagger S U_i R_{\mathcal{A}} \quad (4.48)$$

where $R_{\mathcal{A}}$ denotes the reflection about the subspace $\mathcal{A} := \text{span}\{|x\rangle|0\rangle : x \in K\}$ and S is the swap operator. We have $U_i|x\rangle|0\rangle = \int_{y \in K} \sqrt{p_{x \rightarrow y}^{(i)}} |x\rangle|y\rangle dy$ where $p^{(i)}$ is the transition probability corresponding to the i^{th} chain.

The W'_i operator is related to the walk operator $W_i = S(2\Pi_i - I)$ via conjugation by U_i , i.e., $W_i = U_i W'_i U_i^\dagger$. Thus W'_i has the same eigenvalues as W_i , and if $|u_j\rangle$ is an eigenvector of W_j then $|v\rangle = U_i^\dagger |u\rangle$ is an eigenvector of W_i with the same eigenvalue λ_j . For any classical distribution f , we define $|f\rangle = \int_{\Omega} \sqrt{f(x)} |x\rangle dx$ and $|\phi_f^{(i)}\rangle = \int_{\Omega} \sqrt{f(x)} |x\rangle \int_{\Omega} \sqrt{p_{x \rightarrow y}^{(i)}} |y\rangle dy dx$. Since $|\phi_{\pi_i}^{(i)}\rangle$ is a stationary state of W_i with eigenvalue 1, it follows that $|\pi_i\rangle|0\rangle$ is an eigenvalue of W_i with eigenvalue 1.

In each stage of the volume estimation algorithm, we sample from a state with density $\pi_i(x) = \frac{e^{-a_i x_0}}{Z(a_i)}$. Each such distribution is the stationary state of a hit-and-run walk with the corresponding target density. Thus the corresponding states $|\pi_i\rangle$ are the stationary states of the corresponding walk operators W_i and W'_i . Both W_i and W'_i can be implemented using a constant number of U_i gates.

From Lemma 4.2, we know that the inner product $\langle \pi_i | \pi_{i+1} \rangle$ between the states at any stage of the algorithm is at least $\frac{1}{3}$. This implies that the inner product between $|\pi_i\rangle|0\rangle$ and $|\pi_{i+1}\rangle|0\rangle$ is also at least $\frac{1}{3}$. In the following we abuse notation by sometimes writing only $|\pi_i\rangle$ to denote $|\pi_i\rangle|0\rangle$, as it is easy to tell from context whether the ancilla register should be present.

Lemma 2.1 in **Section 2.2** indicates that $\pi/3$ -amplitude amplification can be used to rotate the state $|\pi_i\rangle$ to $|\pi_{i+1}\rangle$ if we can implement the rotation unitaries

$$R_i = \omega|\pi_i\rangle\langle\pi_i| + (I - |\pi_i\rangle\langle\pi_i|) \quad \text{and} \quad R_{i+1} = \omega|\pi_{i+1}\rangle\langle\pi_{i+1}| + (I - |\pi_{i+1}\rangle\langle\pi_{i+1}|). \quad (4.49)$$

To implement these rotations we use the fact that π_i and π_{i+1} are the leading eigenvectors of the operators W'_i and W'_{i+1} , respectively. We show the following lemmas which are adapted variants of Lemma 2 and Corollary 2 in [61]:

Lemma 4.7. *Let W be a unitary operator with a unique leading eigenvector $|\psi_0\rangle$ with eigenvalue 1. Denote the remaining eigenvectors by $|\psi_j\rangle$ with corresponding eigenvalues $e^{2\pi i\xi_j}$. For any $\Delta \in (0, 1]$ and $\epsilon_2 < 1/2$, define $a := \log(1/\Delta)$ and $c := \log(1/\sqrt{\epsilon})$. There exists a quantum circuit V that uses a ancilla qubits and invokes the controlled- W gate 2^{ac} times such that*

$$V|\psi_0\rangle|0\rangle^{\otimes ac} = |\psi_0\rangle|0\rangle^{\otimes ac} \quad (4.50)$$

and

$$V|\psi_j\rangle|0\rangle^{\otimes ac} = \sqrt{1 - \epsilon_2}|\psi_j\rangle|\chi_j\rangle + \sqrt{\epsilon_2}|\psi_j\rangle|0\rangle^{\otimes ac} \quad (4.51)$$

where $|\chi_j\rangle$ is orthogonal to $|0\rangle^{\otimes ac}$ for all $|\psi_j\rangle$ such that $\xi_j \geq \Delta$.

Proof. Consider a quantum phase estimation circuit U with a ancilla qubits that invokes the controlled- W gate 2^a times (see **Figure 5**). The phase estimation circuit first creates an equal superposition over a ancilla qubits using Hadamard gates. For $k = 0, \dots, a-1$ we apply a controlled- W^k operator to the input register, controlled by the $(a-k)^{\text{th}}$ register. Finally the inverse quantum Fourier transform is applied on the ancilla registers. Then

$$U|\psi_j\rangle|0\rangle^{\otimes a} = |\psi_j\rangle \otimes \text{QFT}^\dagger \left(\frac{1}{\sqrt{2^a}} \sum_{m=0}^{2^a-1} e^{2\pi i m \xi_j} |m\rangle \right) \quad (4.52)$$

$$= |\psi_j\rangle \otimes \frac{1}{2^a} \sum_{m, m'=0}^{2^a-1} e^{2\pi i m (\xi_j - m'/2^a)} |m'\rangle. \quad (4.53)$$

The amplitude corresponding to $|0\rangle$ on the ancilla registers is

$$a_{j,0} := \frac{1}{2^a} \sum_{m=0}^{2^a-1} e^{2\pi i m \xi_j} = \frac{1 - e^{2\pi i 2^a \xi_j}}{2^a (1 - e^{2\pi i \xi_j})} \quad (4.54)$$

for $j \neq 0$, and $a_{0,0} = 1$. If $j \neq 0$ then

$$|a_{j,0}| = \left| \frac{1 - e^{2\pi i 2^a \xi_j}}{2^a (1 - e^{2\pi i \xi_j})} \right| \leq \left| \frac{1}{2^{a-1} (1 - e^{2\pi i \xi_j})} \right| \leq \frac{1}{2^{a+1} |\xi_j|}. \quad (4.55)$$

Thus $|a_{j,0}| \leq \frac{1}{2}$ if $\xi_j \geq \delta$. Using c copies of the circuit (resulting in ac ancilla registers and 2^{ac} controlled- W gates), the amplitude for 0 in all the ancilla registers if $\xi_j \geq \delta$ is $\frac{1}{2^c} = \sqrt{\epsilon}$. \square

Corollary 4.1. *Let W be a unitary operator with a unique leading eigenvector $|\psi_0\rangle$ with eigenvalue 1. Denote the remaining eigenvectors by $|\psi_j\rangle$ with corresponding eigenvalues $e^{2\pi i \xi_j}$. For any $\Delta \in$*

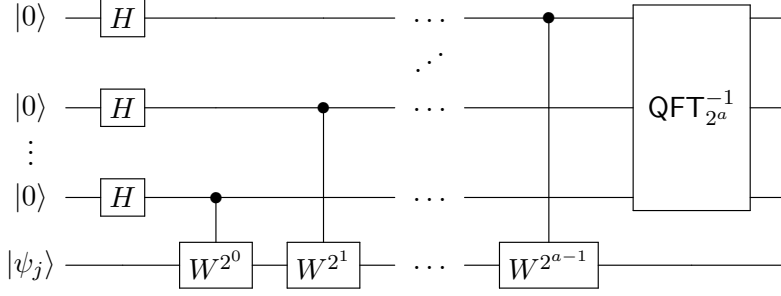


Figure 5: The quantum phase estimation circuit. Here W is a unitary operator with eigenvector $|\psi_j\rangle$; in $\pi/3$ -amplitude estimation it is the quantum walk operator W'_i in (4.48).

(0, 1] and $\epsilon_2 < 1/2$, define $a := \log(1/\Delta)$ and $c := \log(1/\sqrt{\epsilon_2})$. There exists a quantum circuit \tilde{R} that uses ac ancilla qubits and invokes the controlled- W gate $2^{a+1}c$ times such that

$$\tilde{R}|\psi_0\rangle|0\rangle^{\otimes ac} = (R|\psi_0\rangle)|0\rangle^{\otimes ac} \quad (4.56)$$

(where $R = \omega|\psi_0\rangle\langle\psi_0| - (I - |\psi_0\rangle\langle\psi_0|)$) and

$$\|\tilde{R}|\psi_j\rangle|0\rangle^{\otimes ac} - (R|\psi_j\rangle)|0\rangle^{\otimes ac}\| \leq 2\sqrt{\epsilon_2} \quad (4.57)$$

for $j \neq 0$ such that $\xi_j \geq \Delta$.

Proof. Let $\tilde{R} := V^\dagger(I \otimes Q)V$ where V is the quantum circuit in Lemma 4.7 and $Q := \omega|0\rangle\langle 0|^{\otimes ac} + (I - |0\rangle\langle 0|^{\otimes ac})$. Then we have

$$\tilde{R}|\psi_0\rangle|0\rangle^{\otimes ac} = V^\dagger(I \otimes Q)|\psi_0\rangle|0\rangle^{\otimes ac} = V^\dagger|\psi_0\rangle|0\rangle^{\otimes ac} = \omega|\psi_0\rangle|0\rangle^{\otimes ac} = R|\psi_0\rangle|0\rangle^{\otimes ac}. \quad (4.58)$$

For $j \neq 0$ such that $\xi_j \geq \delta$,

$$\tilde{R}|\psi_j\rangle|0\rangle^{\otimes ac} = V^\dagger(I \otimes Q)(\sqrt{1 - \epsilon_2}|\psi_j\rangle|\chi_j\rangle + \sqrt{\epsilon_2}|\psi_j\rangle|0\rangle^{\otimes ac}) \quad (4.59)$$

$$= V^\dagger(\sqrt{1 - \epsilon_2}|\psi_j\rangle|\chi_j\rangle + \sqrt{\epsilon_2}\omega|\psi_j\rangle|0\rangle^{\otimes ac}) \quad (4.60)$$

$$= V^\dagger(|\psi_j\rangle \otimes (\sqrt{1 - \epsilon_2}|\chi_j\rangle + \sqrt{\epsilon_2}|0\rangle^{\otimes ac}) + \sqrt{\epsilon_2}(\omega - 1)|\psi_j\rangle|0\rangle^{\otimes ac}) \quad (4.61)$$

$$= |\psi_j\rangle|0_j\rangle + V^\dagger\sqrt{\epsilon_2}(\omega - 1)|\psi_j\rangle|0\rangle^{\otimes ac}. \quad (4.62)$$

Thus $\|\tilde{R}|\psi_j\rangle|0\rangle^{\otimes ac} - (R|\psi_j\rangle)|0\rangle^{\otimes ac}\| \leq \|V^\dagger\sqrt{\epsilon_2}(\omega - 1)|\psi_j\rangle|0\rangle^{\otimes ac}\| \leq 2\sqrt{\epsilon_2}$. \square

Finally, we prove the following lemma for analyzing the error incurred by $\pi/3$ -amplitude amplification in our quantum volume estimation algorithm:

Lemma 4.8. *Starting from $|\pi_i\rangle$, we can obtain a state $|\tilde{\pi}_{i+1}\rangle$ such that $\| |\pi_{i+1}\rangle - |\tilde{\pi}_{i+1}\rangle \| \leq \epsilon$ using $\tilde{O}(n^{3/2} \log(1/\epsilon))$ calls to the controlled walk operators W'_i, W'_{i+1} . This results in $\tilde{O}(n^{3/2} \log(1/\epsilon))$ calls to the membership oracle O_K .*

Proof. From Theorem 2.5, Lemma 4.5, and Lemma 4.6, we find that

- $\pi_i(x)$ mixes up to total variation distance ϵ_1 in $O(n^3 \log^5 \frac{n}{\epsilon_1})$ steps of the Markov chain M_{i+1} , and

- $\pi_{i+1}(x)$ mixes up to total variation distance ϵ_1 in $O(n^3 \log^5 \frac{n}{\epsilon_1})$ steps of the Markov chain M_i .

From [Proposition 4.3](#), we find the following:

- $|\pi_i\rangle = |\pi'_i\rangle + |e_1\rangle$ where $|\pi'_i\rangle$ lies in the space of eigenvectors $|v_j^{(i+1)}\rangle$ of W'_{i+1} such that $\lambda_j^{(i+1)} = 1$ or $\lambda_j^{(i+1)} \leq 1 - \frac{1}{O(n^3 \log^5(n/\epsilon_1))}$, and $\| |e_1\rangle \| \leq \epsilon_1$; and
- $|\pi_{i+1}\rangle = |\pi'_{i+1}\rangle + |e_2\rangle$ where $|\pi'_{i+1}\rangle$ lies in the space of eigenvectors $|v_j^{(i)}\rangle$ of W'_i such that $\lambda_j^{(i)} = 1$ or $\lambda_j^{(i)} \leq 1 - \frac{1}{O(n^3 \log^5(n/\epsilon_1))}$, and $\| |e_2\rangle \| \leq \epsilon_1$.

Note that $|\pi_i\rangle$ and $|\pi_{i+1}\rangle$ are simply the leading eigenvectors of W_i and W_{i+1} , respectively. Thus both $|\pi_i\rangle$ and $|\pi_{i+1}\rangle$ lie ϵ_1 close to the “good” subspaces corresponding to W'_i (respectively W'_{i+1}) which are spanned by eigenvectors $|v_j^{(i)}\rangle$ (respectively $|v_j^{(i+1)}\rangle$) with eigenvalues $e^{2\pi i \xi_j^{(i)}}$ (respectively $e^{2\pi i \xi_j^{(i+1)}}$) such that $\xi_j^{(i)} = 0$ or $\xi_j^{(i)} \geq \frac{1}{O(n^{3/2} \log^{5/2}(n/\epsilon_1))}$. Each state that occurs during $\pi/3$ -amplitude amplification to rotate $|\pi_i\rangle$ to $|\pi_{i+1}\rangle$ or vice versa is a linear combination of $|\pi_i\rangle$ and $|\pi_{i+1}\rangle$ and is thus also close to the good subspaces of W'_i and W'_{i+1} .

Applying [Corollary 4.1](#) with $\Delta = \frac{1}{n^{3/2} \ln^{5/2}(n/\epsilon_1)}$ and $\epsilon_2 = \epsilon_1^2$, we can implement a quantum operators $\tilde{R}_i, \tilde{R}_{i+1}$ such that $\|R_i - \tilde{R}_i\| \leq 2\epsilon_1$ and $\|R_{i+1} - \tilde{R}_{i+1}\| \leq 2\epsilon_1$, using $O(n^{3/2} \log^{5/2}(n/\epsilon_1) \log(1/\epsilon_1))$ calls to the controlled- W'_i and controlled- W'_{i+1} operators, respectively.

The above shows how to approximately implement R_i and R_{i+1} . If these operators could be implemented perfectly, [Lemma 2.1](#) and [Lemma 4.2](#) show that we can prepare a state $|\tilde{\pi}_{i+i}\rangle$ such that $\langle \pi_{i+1} | \tilde{\pi}_{i+1} \rangle \leq 1 - (2/3)^{3^m}$ by applying m recursive levels of $\pi/3$ -amplitude amplification to $|\pi_i\rangle$, using 3^m calls to $R_i, R_i^\dagger, R_{i+1}, R_{i+1}^\dagger$. Since $\|\pi_{i+1} - \tilde{\pi}_{i+1}\| = \sqrt{2(1 - \langle \pi_{i+1} | \tilde{\pi}_{i+1} \rangle)}$, after $O(\log(1/\epsilon_2))$ calls to the rotation gates we obtain a final state with error ϵ_2 . However, each rotation gate can cause an error of ϵ_1 by itself. By making $O(n^{3/2} \log^{5/2}(n/\epsilon_1) \log(1/\epsilon_1) \log(1/\epsilon_2))$ calls to controlled- W'_i and controlled- W'_{i+1} operators, we obtain a final error of $O(\epsilon_1 \log(1/\epsilon_2) + \epsilon_2)$. Choosing $\epsilon_2 = \epsilon/2$ and $\epsilon_1 = \epsilon/(2 \ln(2/\epsilon))$ gives the result. \square

Error analysis for the quantum Chebyshev inequality We also analyze the error from the quantum Chebyshev inequality ([Theorem 2.3](#)), giving a robust version of [Lemma 4.3](#).

Lemma 4.9. *Suppose we have $\tilde{O}(\log(1/\delta)/\epsilon)$ copies of a state $|\tilde{\pi}_{i-1}\rangle$ such that $\| |\tilde{\pi}_{i-1}\rangle - |\pi_{i-1}\rangle \| \leq \epsilon$. Then the quantum Chebyshev inequality can be used to output \tilde{V}_i such that $|\tilde{V}_i - \mathbb{E}_{\pi_i}[V_i]| \leq O(\epsilon) \mathbb{E}_{\pi_i}[V_i]$ with success probability $1 - \delta^4$ using $\tilde{O}(n^{3/2} \log(1/\delta)/\epsilon)$ calls to the membership oracle. The output state $|\hat{\pi}_{i-1}\rangle$ satisfies $\| |\hat{\pi}_{i-1}\rangle - |\pi_{i-1}\rangle \| = O(\epsilon + \delta)$.*

Proof. The quantum Chebyshev inequality uses an implementation of $US_0U^\dagger S_i$ where U is a unitary operator satisfying $U|\pi_{i-1}\rangle = |\pi_i\rangle$. From [Lemma 4.8](#), using $\ln(1/\epsilon_2)$ iterations of $\pi/3$ -amplitude amplification ($U_{\log 1/\epsilon_2}$ in [\(2.6\)](#)) instead of U induces an error of ϵ_2 and uses $O(n^{3/2} \log(1/\epsilon_2))$ oracle calls. Using approximate phase estimation as in [Corollary 4.1](#) and [Lemma 4.8](#), Π_{i-1} and Π_i can be implemented up to error ϵ_3 using $O(n^{3/2} \log(1/\epsilon_3))$ oracle calls. Thus each block corresponding to [Theorem 2.2](#) induces an error of $O(\epsilon_2 + \epsilon_3)$, and the final state before the median is measured has an error of $O(\epsilon + \epsilon_2 + \epsilon_3)$. Therefore, using $O(\log(1/\delta_1)/\epsilon)$ copies of $|\tilde{\pi}_{i-1}\rangle$ returns a sample \tilde{V}_i such that $|\tilde{V}_i - \mathbb{E}_{\pi_i}[V_i]| \leq O(\epsilon_2 + \epsilon_3 + \epsilon) \mathbb{E}_{\pi_i}[V_i]$ with success probability $1 - \delta_1$. Performing a measurement with success probability $1 - \delta_1$ implies that the posterior state has an overlap $\sqrt{1 - \delta_1}$ with the initial state. This induces an error of magnitude at most $\sqrt{2(1 - \sqrt{1 - \delta_1})} = O(\delta_1^{1/4})$.

The measurement on the $\log(1/\delta)/c$ copies of $|\tilde{\pi}_{i-1}\rangle$ used to estimate $\hat{\mu}$ has relative error at most c with probability $1 - \delta$. This causes an error $O(\delta_1^{1/4})$ in addition to the error ϵ_2 from $\pi/3$ -amplitude amplification.

Finally, note that the basic amplitude estimation circuit (analyzed in [Theorem 2.2](#)) is a subroutine of the quantum Chebyshev inequality ([Theorem 2.3](#)), and uncomputing the block corresponding to [Theorem 2.2](#) induces an error of $O(\epsilon_2 + \epsilon_3)$, giving an overall error of $O(\epsilon_2 + \epsilon_3 + \epsilon + \delta^{1/4})$. The result follows by taking $\epsilon_2 = \epsilon_3 = \epsilon$ and $\delta_1 = \delta^4$. \square

Proof of Lemma 4.4 We finally prove [Lemma 4.4](#) here.

Proof. [Lemma 4.9](#) is used to estimate the mean with $\epsilon = \epsilon_1$ and leaves a posterior state $|\hat{\pi}_{i-1}\rangle$ such that $\| |\hat{\pi}_{i-1}\rangle - |\pi_{i-1}\rangle \| = O(\epsilon_1 + \delta)$. We can then use $\pi/3$ -amplitude amplification to rotate this state into $|\tilde{\pi}_i\rangle$, adding error $O(\epsilon')$ at the cost of $O(n^{3/2} \log(1/\epsilon'))$. This completes the proof. \square

4.4 Quantum algorithms for rounding convex bodies

In this section, we show how to transform our convex body K to be well-rounded, i.e., $R/r = O(\sqrt{n})$. Specifically, we construct an affine transformation specified by a positive-definite matrix $T \in \mathbb{R}^{n \times n}$ such that

$$TK := \{x : Tx \in K\} \tag{4.63}$$

is a well-rounded convex body, using $\tilde{O}(n^{3.5})$ quantum queries to O_K . Recall that our quantum volume estimation algorithm ([Algorithm 3](#)) estimates $\text{Vol}(TK)$ up to multiplicative error ϵ using $\tilde{O}(n^{2.5}/\epsilon)$ queries to O_{TK} . Since $\text{Vol}(TK) = \det(T)^{-1} \text{Vol}(K)$ and one query to O_{TK} can be simulated by one query to O_K , overall we achieve a volume estimation algorithm (for a general convex body K) with $\tilde{O}(n^{3.5} + n^{2.5}/\epsilon)$ queries to O_K .

Our proof closely follows the classical convex body rounding algorithm in [[42](#), Section 5]. The general idea is to map K to an *isotropic* position. We say K is isotropic if

$$\mathbb{E}_{x \in K}[x] = 0 \quad \text{and} \quad \mathbb{E}_{x \in K}[xx^\dagger] = I. \tag{4.64}$$

In other words, $\int_K (u^\dagger x)^2 dx = |u|^2$ for every vector $u \in \mathbb{R}^n$. We say that K is near-isotropic up to a factor of t if

$$\frac{1}{t} \leq \int_K (u^\dagger x)^2 dx \leq t. \tag{4.65}$$

Lemmas 3.4 and 3.3 of [[42](#)] show that $B_2(0, 1) \subseteq K$ and $\Pr_{x \in K}[|x| > s\sqrt{tn}] \leq e^{-s+1}$, respectively. Thus $K \cap B_2(0, \sqrt{tn} \ln(100e/\epsilon))$ is well-rounded and its volume has multiplicative error 0.01ϵ to $\text{Vol}(K)$. Furthermore, note that a query oracle for this modified convex body can be directly simulated by querying O_K .

It remains to construct an affine transformation T such that the convex body TK is near-isotropic. We do this using [Algorithm 4](#), which can be viewed as a quantum counterpart of the classical rounding algorithm in [[42](#), Section 5].

⁷Similarly to [Algorithm 3](#), we do not directly measure the states; instead we use a quantum circuit to (classically) compute the affine transformation S_i and apply it to the convex body coherently for the next iteration. Note that the quantum register holding the affine transformation will be in some superposition, but by using $O(\log n)$ copies and taking the mean (as in [Algorithm 3](#)), the amplitude of the correct affine transformation will be arbitrarily close to 1.

Algorithm 4: Rounding a convex body with $\tilde{O}(n^{3.5})$ quantum queries.

Input: Membership oracle O_K for K ; R such that $B_2(0, 1) \subseteq K \subseteq B_2(0, R)$.

Output: Affine transformation T that rounds K to be near-isotropic.

- 1 Set $m = \lceil n \log_2 2R \rceil$ to be the number of iterations in simulated annealing; set $\delta = \epsilon^{10}/\text{poly}(n)$ to be a controlling error parameter; set $l = \tilde{\Theta}(n)$;
 - 2 Define $K_i = K' \cap \{x \mid x_0 \leq 2^{i/n}\}$, where $K' = ([0, 2R] \times K) \cap C$ is the pencil construction;
 - 3 Initialize $t_0 = n$ and $T_0 = \sqrt{n}I_n$; prepare l uniform stationary states $|\pi_i^{(1)}\rangle, \dots, |\pi_i^{(l)}\rangle$ on K_0 ;
 - 4 **for** $i \in \{0, 1, \dots, m-1\}$ **do**
 - 5 Prepare l uniform stationary states $|\pi_i^{(1)}\rangle, \dots, |\pi_i^{(l)}\rangle$ on the convex body $S_i K_i$ with error δ , where $S_i = \begin{pmatrix} t_i & 0 \\ 0 & T_i \end{pmatrix}$; this is achieved by $\pi/3$ -amplitude amplification (Section 2.2) from the previous stationary states $|\pi_{i-1}^{(1)}\rangle, \dots, |\pi_{i-1}^{(l)}\rangle$. Nondestructively measure⁷ these states, and apply S_i^{-1} to the points obtained to get points $Y^{(1)}, \dots, Y^{(l)}$ in K_i ;
 - 6 **if** i is not a multiple of n **then**
 - 7 Compute

$$\bar{Y}_0 = \frac{1}{l} \sum_{j=1}^l (Y^{(j)})_0, \quad Z = \frac{1}{l} \sum_{j=1}^l (Y^{(j)})_0^2 - \bar{Y}_0^2, \quad (4.66)$$
 and let $T_{i+1} = T_i$ and $t_{i+1} = 1/\sqrt{Z}$;
 - 8 **else**
 - 9 Let $\hat{Y}^{(j)}$ be obtained from $Y^{(j)}$ by dropping the coordinate with index 0. Compute

$$\bar{Y} = \frac{1}{l} \sum_{j=1}^l \hat{Y}^{(j)}, \quad A = \frac{1}{l} \sum_{j=1}^l \hat{Y}^{(j)} (\hat{Y}^{(j)})^\dagger - \bar{Y} \bar{Y}^\dagger, \quad (4.67)$$
 and let $T_{i+1} = A^{-1/2}$ and $t_{i+1} = t_i$;
 - 10 Return $T = T_m$;
-

Proposition 4.4. *The affine transformation outputted by Algorithm 4 ensures that the convex body TK is 2-isotropic with probability at least $1 - o(1)$. Furthermore, Algorithm 4 takes $\tilde{O}(n^{3.5})$ quantum queries to O_K .*

We first show that the overlap between adjacent stationary distributions is lower bounded by a constant. More precisely, we have the following lemma.

Lemma 4.10 (Overlap). *Let π_i be the uniform distribution in K_i , then $\langle \pi_i | \pi_{i+1} \rangle > 1/2$.*

Proof. From K_0 to K_m , we can view these convex bodies as a growing pencil, where K_0 is a rotational cone and $K_m = K'$ is the whole pencil. From K_i to K_{i+1} , the length is increased by $2^{i/n}(2^{1/n} - 1)$. Let P_i be the base of the pencil K_i . When $i = 0$, P_0 is the unit ball, and P_i changes to K as i increases. It is easy to see that $\text{Vol}(K_{i+1}) \leq \text{Vol}(K_i) + 2^{i/n}(2^{1/n} - 1) \text{Vol}(P_{i+1})$. Also, if both P_i and P_{i+1} are hyperballs, then $\text{Vol}(P_{i+1}) = 2 \text{Vol}(P_i)$; if P_i changes towards K , we have $\text{Vol}(P_{i+1}) \leq 2 \text{Vol}(P_i)$. We use $L^2(K')$ as the Hilbert space for $|\pi_i\rangle$. As π_i is uniform, we can write

it as

$$|\pi_i\rangle = \frac{1}{\sqrt{\text{Vol}(\mathbf{K}_i)}} \int_{\mathbf{K}_i} dx |x\rangle. \quad (4.68)$$

Hence, we have

$$\langle \pi_i | \pi_{i+1} \rangle = \frac{\text{Vol}(\mathbf{K}_i)}{\sqrt{\text{Vol}(\mathbf{K}_i) \text{Vol}(\mathbf{K}_{i+1})}} \quad (4.69)$$

$$\geq \frac{\text{Vol}(\mathbf{K}_i)}{\sqrt{\text{Vol}(\mathbf{K}_i)(\text{Vol}(\mathbf{K}_i) + 2^{i/n}(2^{1/n} - 1) \text{Vol}(\mathbf{P}_{i+1}))}} \quad (4.70)$$

$$= \frac{1}{\sqrt{1 + 2^{i/n}(2^{1/n} - 1) \text{Vol}(\mathbf{P}_{i+1}) / \text{Vol}(\mathbf{K}_i)}} \quad (4.71)$$

$$\geq \frac{1}{\sqrt{1 + 2^{i/n}(2^{1/n} - 1) 2 \text{Vol}(\mathbf{P}_i) / \text{Vol}(\mathbf{K}_i)}} \quad (4.72)$$

$$\geq \frac{1}{\sqrt{1 + 2(2^{1/n} - 1)n}} \quad (4.73)$$

$$\geq \frac{1}{\sqrt{1 + 4 \ln 2}} > 1/2, \quad (4.74)$$

where the third inequality follows from the fact that as i increases, the cone (or hyperpyramid) with \mathbf{P}_i as the base and the tip of the pencil as the apex will be inside \mathbf{K}_i , i.e., $\text{Vol}(\mathbf{P}_i)2^{i/n}/n \leq \text{Vol}(\mathbf{K}_i)$. \square

Now, we are ready to prove [Proposition 4.4](#).

Proof of Proposition 4.4. The correctness is shown in [41]. Here, we focus on the proving that it makes at most $\tilde{O}(n^{3.5})$ quantum queries to O_K . [Algorithm 4](#) uses similar techniques as in our quantum volume estimation algorithm ([Algorithm 3](#)) to obtain the uniform distributions, perform mean estimation, and compute the affine transformation coherently. The quantum walks are performed with respect to convex bodies $T_i\mathbf{K}_i$. By of [41, Lemma 5.4], $T_i\mathbf{K}_i$ is well-rounded, which implies that the phase gap of each quantum walk operator is at most $O(n^{1.5})$ (see [Proposition 2.4](#)). After the quantum walk operator, the inverse affine transformation T_i^{-1} is performed to map the space back to \mathbf{K}_i so that the quantum state can be viewed as living in the Hilbert space $L^2(K')$. Note that the uniform distribution in $T_i\mathbf{K}_i$ is also the uniform distribution in \mathbf{K}_i after applying T_i^{-1} . As a result, it suffices to consider the overlap between $|\pi_i\rangle$ and $|\pi_{i+1}\rangle$ to bound the number of steps in the $\pi/3$ -amplitude amplification procedure. By [Lemma 4.10](#), the overlap is upper bounded by a constant. Hence, the $\pi/3$ -amplitude amplification only incurs a constant factor in the number of quantum queries.

To upper bound the total number of quantum queries, note that there are $\tilde{O}(n)$ stages, and each stage uses $O(n^{1.5})$ queries to maintain one copy of the stationary distribution state. Here, we need to maintain $\tilde{O}(n)$ copies of the stationary distribution state. Therefore, the total number of quantum queries is at most $\tilde{O}(n) \cdot O(n^{1.5}) \cdot \tilde{O}(n) = \tilde{O}(n^{3.5})$. \square

5 Implementation of the quantum hit-and-run walk

In this section, we describe a discretized hit-and-run walk that approximates the continuous hit-and-run walk (see [Section 2.4](#)). We define this process in [Section 5.1](#), lower bound its conductance

in [Section 5.2](#), and explain how to implement the quantum walk operators in [Section 5.3](#). To the best of our knowledge, we give the first such rigorous analysis, which may be of interest to the classical algorithm design community.

5.1 Discretization of the hit-and-run walk

For a convex body $K \subseteq \mathbb{R}^n$, we let K_ϵ denote the set of vectors in K whose coordinates can be represented by some floating-point representation using $\log(1/\epsilon)$ bits. We call K_ϵ an ϵ -discretization of K . The finite set K_ϵ provides an ϵ -net for K . We also define $(\mathbb{R}^n)_\epsilon$ as a ϵ -discretization of \mathbb{R}^n .

We consider a Markov chain whose states are the points in K_ϵ . For any $v \in \mathbb{R}^n$, we define the ϵ -box $b_\epsilon(v) := \{x \in \mathbb{R}^n : x(i) \in [v(i) - \epsilon/2, v(i) + \epsilon/2], \forall i \in [n]\}$. Let \bar{K}_ϵ be the continuous set formed by the ϵ -boxes of the points in K_ϵ , i.e., $\bar{K}_\epsilon = \bigcup_{x \in K_\epsilon} b_\epsilon(x)$. For two distinct points $u, v \in \mathbb{R}^n$, we denote by ℓ_{uv} the line through them. For a line $\ell \subseteq \mathbb{R}^n$, let $\ell(\bar{K}_\epsilon)$ be the segment of ℓ contained in \bar{K}_ϵ , i.e., $\ell(\bar{K}_\epsilon) = \{x \in \ell : x \in \bar{K}_\epsilon\}$. In addition, for $u \in \ell$, we define $\ell(\bar{K}_\epsilon, u, \epsilon')$ as the ϵ' -discretization of $\ell(\bar{K}_\epsilon)$ starting from u , i.e., $\ell(\bar{K}_\epsilon, u, \epsilon') = \{x \in \ell(\bar{K}_\epsilon) : |x - u| = k\epsilon' \text{ for some } k \in \{0, 1, \dots\}\}$. Analogous to the distribution π_f for the continuous-space case, we define its corresponding discrete distribution $\hat{\pi}_f$ with $\hat{\pi}_f(S) = \sum_{x \in S} f(x) / \sum_{x \in (\mathbb{R}^n)_\epsilon} f(x)$.

To implement the hit-and-run walk (see [Section 2.4](#)), we sample a uniformly random direction from a point u . We achieve this by sampling n coordinates according to the standard normal distribution from the corresponding coordinate of u and normalizing the new point to have unit length; the uniformity of such sampling is well known (see for example [\[44, 46\]](#)).⁸ Let this normalized point be v , so that the sampled direction is $\ell(u, v)$. Note that the coordinate we sample from is discrete. The directions we can sample form a discrete set denoted $L(u, \epsilon')$, where ϵ' is the precision for sampling directions.

Now we compute the probability that a specific direction is sampled. After normalization, the point will “snap” to a point in $(\mathbb{R}^n)_\epsilon$. Consider the body $\bigcup_{v: b_{\epsilon'}(v) \cap B_n \neq \emptyset} b_\epsilon(v)$. We use the $(n-1)$ -dimensional volume (surface area) of this body to approximate that of B_n , with up to a $\sqrt{2}$ enlargement factor due to the fact that ϵ -boxes have sharp corners. Thus, the number of points that v can snap to is in the range $[n \text{Vol}(B_n)/\epsilon^{n-1}, \sqrt{2}n \text{Vol}(B_n)/\epsilon^{n-1}]$, which is also the range of $|L(u, \epsilon')|$. To make the lines in $L(u, \epsilon')$ cover every ϵ -box on the boundary of $\sqrt{n}B_n$ (so that it is possible to sample all the points in K_ϵ), we need $\epsilon' \leq \epsilon/\sqrt{n}$.

Let $L := |L(u, \epsilon')|$. We label the lines in $L(u, \epsilon')$ as $\{\ell_1, \dots, \ell_L\}$ (ordered arbitrarily). For each $i \in [L]$, let v_i be the point after normalization. Intuitively, v_i approximates a point on the “surface” of the unit ball around u (see [Figure 6](#)). There are *hyperfaces* of $b_{\epsilon'}(v_i)$ that are not adjacent to any ϵ' -box in $\bigcup_{v: b_{\epsilon'}(v) \cap B_n} b_\epsilon(v)$ (intuitively, these hyperfaces are out-facing hyperfaces, as labeled by dashed edges in [Figure 6](#)). For all points v'' in these hyperfaces, the line segments from u through v'' of length \sqrt{n} form a set, which we refer to as a *hyperpyramid*, denoted by P_i . The apex of each hyperpyramid is u , and the base of each hyperpyramid is a subset of the hyperspherical surface. Intuitively, the bases of P_1, \dots, P_L form a partition of the “surface” of the ball of radius \sqrt{n} around u , and therefore $\{P_1, \dots, P_L\}$ forms a partition of the ball of radius \sqrt{n} around u .

⁸A one-line proof is that this distribution is invariant under orthogonal transformations, but the uniform distribution on the n -dimensional unit sphere B_n is the unique distribution that satisfies this property. Although the Gaussian distributions we sample from are discretized, the invariance under orthogonal transformations holds approximately, so we have approximate uniformity.

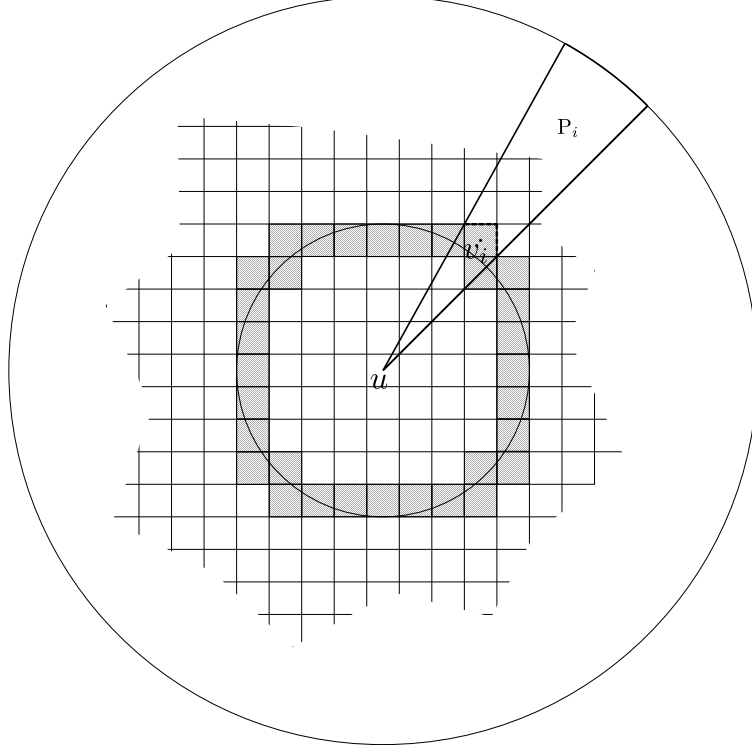


Figure 6: Constructing a hyperpyramid. The inner circle represents the unit ball and the outer circle represents the ball of radius \sqrt{n} . The grids represents the ϵ' -discretization of \mathbb{R}^n ; each grid is a ϵ' -box. The shaded boxes are points where a direction “snaps” to after normalization, and the dashed edges of $b_{\epsilon'}(v_i)$ is its “outer face.” The hyperpyramid P_i is represented by a circular sector.

5.2 Conductance lower bound on the discretized hit-and-run walk

The discretized hit-and-run walk on K_ϵ described above can be summarized as follows.

Algorithm 5: One step of the discretized hit-and-run walk.

Input: Current point $u \in K_\epsilon$.

- 1 Uniformly sample a line $\ell \in L(u, \epsilon)$ by independently sampling n coordinates around u according to the standard normal distribution and then normalizing to unit length;
 - 2 Sample a point v' in $\ell(\bar{K}_\epsilon, u, \epsilon')$ according to f ;
 - 3 Let $v'' \in K_{\sqrt{\epsilon n^{1/4}}}$ that is closest to v' ;
 - 4 Output a uniform sample v in $b_{\sqrt{\epsilon n^{1/4}}}(v'') \cap (\mathbb{R}^n)_\epsilon$;
-

Note that we have used a two-level discretization of K , as illustrated in [Figure 7](#). The first level is a coarser discretization $K_{\sqrt{\epsilon n^{1/4}}}$ and the second level is a finer discretization K_ϵ . We first choose a temporary point v'' in $K_{\sqrt{\epsilon n^{1/4}}}$. Then we choose a point v uniformly at random in $b_{\sqrt{\epsilon n^{1/4}}}(v'') \cap (\mathbb{R}^n)_\epsilon$ to jump to. The purpose of this two-level discretization is to avoid having a small change of the original point u cause a huge difference in $\ell_{uv}(\bar{K}_\epsilon)$ (when u is very close to the boundary).

We first compute the transition probability of the discretized hit-and-run walk.

Lemma 5.1. *The transition probabilities defined by [Algorithm 5](#) satisfy*

$$P_{uv} \geq \sum_{v' \in \ell(\bar{K}_\epsilon, u, \epsilon') : \ell \in L(x, \epsilon), \ell(\bar{K}_\epsilon, u, \epsilon') \cap b_{\sqrt{\epsilon n^{1/4}}}(v) \neq \emptyset} \frac{\epsilon^{n-1} (\sqrt{\epsilon})^n f(v')}{\sqrt{2} n^{1+n/4} \text{Vol}(B_n) (\sqrt{n})^{n-1} \hat{\mu}_f(\ell(\bar{K}_\epsilon, u, \epsilon'))}, \quad (5.1)$$

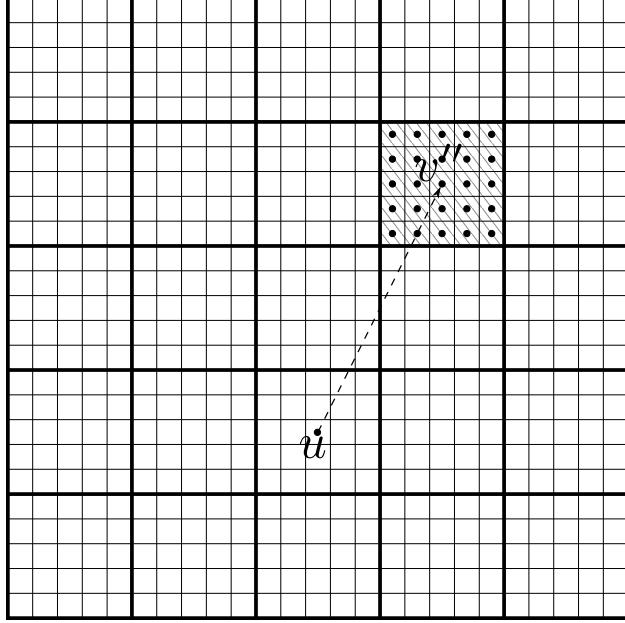


Figure 7: A demonstration of the 2-level discretization of K . The thicker grid represents the coarser discretization $K_{\sqrt{\epsilon}n^{1/4}}$ and the thinner grid represents the finer discretization K_{ϵ} . When v'' is chosen from $K_{\sqrt{\epsilon}n^{1/4}}$, an actual point v to jump is chosen uniformly at random in $b_{\sqrt{\epsilon}n^{1/4}}(v'') \cap (\mathbb{R}^n)_{\epsilon}$ marked by the points in the shaded region.

where for any $S \subseteq \mathbb{R}^n$, we define

$$\hat{\mu}_f(S) := \sum_{x \in S} f(x). \quad (5.2)$$

Proof. First note that the probability of a line $\ell \in L(u, \epsilon)$ being sampled is at least $\frac{\epsilon^{n-1}}{\sqrt{2n} \text{Vol}(B_n)(\sqrt{n})^{n-1}}$. Along ℓ , the probability of v' being sampled is $f(v')/\mu_f(\ell(\bar{K}_{\epsilon}, u, \epsilon'))$, and the probability of choosing v in $b_{\sqrt{\epsilon}n^{1/4}}(v'') \cap K_{\epsilon}$ is $(\sqrt{\epsilon})^n/n^{n/4}$. \square

According to the definition in (2.2), the conductance of any subset $S \subseteq K_{\epsilon}$ is

$$\phi(S) = \frac{\sum_{u \in S} \sum_{v \in K_{\epsilon} \setminus S} P_{uv} \hat{\pi}_f(u)}{\min\{\hat{\pi}_f(S), \hat{\pi}_f(K_{\epsilon} \setminus S)\}}, \quad (5.3)$$

where $\hat{\pi}_f$ is defined as $\hat{\pi}_f(A) = \sum_{x \in A} f(x)$. The conductance of the Markov chain is then

$$\phi = \min_{S \subseteq K_{\epsilon}} \phi(S). \quad (5.4)$$

Now we prove the main theorem of this section, which shows that the conductance of the discretized hit-and-run walk does not differ significantly from that of the continuous hit-and-run walk.

Theorem 5.1. *Let K_{ϵ} be the discretization of convex body K that contains a unit ball and is contained in a ball with radius $R \leq \sqrt{n}$. Let the density function be $f(x) = e^{-a^T x}$ having support K where $a = (1, 0, \dots, 0)$. Let $\epsilon' \leq \sqrt{\epsilon}n^{-3/4}$. For $S \subseteq K_{\epsilon}$ such that $\hat{\pi}_f(S) \leq 1/2$, we have*

$$\phi(S) \geq \frac{1}{10^{16}n\sqrt{n} \ln\left(\frac{n\sqrt{n}}{\hat{\pi}_f(S)}\right)} - \epsilon. \quad (5.5)$$

Proof. We first consider the transition probability for the continuous hit-and-run walk in K . For $u, v \in K$, recall that

$$P'_u(b_\epsilon(v)) = \frac{2}{n \text{Vol}(\mathbb{B}_n)} \int_{b_\epsilon(v)} \frac{f(x) dx}{\mu_f(u, x) |x - u|^{n-1}}. \quad (5.6)$$

We compare $P'_u(b_{\sqrt{\epsilon n^{1/4}}}(v))$ with P_{uv} for $u \in K_\epsilon$ and $v \in K_{\sqrt{\epsilon n^{1/4}}}$. To this end, we use $\hat{\mu}_f$ to approximate μ_f : for each ℓ , we have

$$\epsilon' \hat{\mu}_f(\ell(\bar{K}_\epsilon, u, \epsilon')) \leq e^{\epsilon'} \mu_f(\ell(\bar{K}_\epsilon, u, \epsilon')). \quad (5.7)$$

Consider each hyperpyramid P_i defined in [Section 5.1](#) whose associated line through its apex is ℓ_i and $\ell_i(\bar{K}_\epsilon, u, \epsilon') \cap b_{\sqrt{\epsilon n^{1/4}}}(v) \neq \emptyset$. Note that the distance between each $u \in K_\epsilon$ and the boundary of \bar{K}_ϵ is at most $\epsilon/2$. Inside each hyperpyramid, the length of the chords through u can differ by a factor at most 2. For each $\ell \subset P_i$, $\hat{\mu}_f(\ell_i(\bar{K}_\epsilon, u, \epsilon')) \leq 2e^{\epsilon'} \hat{\mu}_f(\ell(\bar{K}_\epsilon, u, \epsilon'))$. Together with [\(5.7\)](#), it follows that

$$\epsilon' \hat{\mu}_f(\ell_i(\bar{K}_\epsilon, u, \epsilon')) \leq 2e^{2\epsilon'} \mu_f(\ell(\bar{K}_\epsilon, u, \epsilon')) \quad (5.8)$$

for all $\ell \subset P_i$. Define $c_i := |\ell_i(\bar{K}_\epsilon, u, \epsilon') \cap b_{\sqrt{\epsilon n^{1/4}}}(v)|$ (the number of points in this set) and $d_i := |\ell_i(\bar{K}_\epsilon) \cap b_{\sqrt{\epsilon n^{1/4}}}(v)|$ (the length of this line). Note that $c_i \leq d_i/\epsilon'$. We further partition P_i into c_i sets $Q_{i,1}, \dots, Q_{i,c_i}$ along the direction of ℓ_i so that the distance between the hyperplanes that separate adjacent sets is at most ϵ' . For each $j \in [c_i]$, we have

$$\frac{\epsilon^{n-1} f(v')}{n \text{Vol}(\mathbb{B}_n) (\sqrt{n})^{n-1} \hat{\mu}_f(\ell_i(\bar{K}_\epsilon, u, \epsilon'))} = \frac{\epsilon^{n-1} f(v') \epsilon' |v' - u|^{n-1}}{\epsilon' n \text{Vol}(\mathbb{B}_n) (\sqrt{n})^{n-1} \hat{\mu}_f(\ell_i(\bar{K}_\epsilon, u, \epsilon')) |v' - u|^{n-1}} \quad (5.9)$$

$$\geq \frac{f(v') \text{Vol}(Q_{i,j} \cap b_{\sqrt{\epsilon n^{1/4}}}(v))}{2\epsilon' n \text{Vol}(\mathbb{B}_n) \hat{\mu}_f(\ell_i(\bar{K}_\epsilon, u, \epsilon')) |v' - u|^{n-1}}, \quad (5.10)$$

where we have used the fact that the distance between adjacent $Q_{i,j}$ and $Q_{i,j+1}$ can be bounded from below by $|Q_{i,j} \cap \ell_i|/(1 + \epsilon'/2) \geq |Q_{i,j} \cap \ell_i|/2$.

Now we consider the integration in $Q_{i,j} \cap b_{\sqrt{\epsilon n^{1/4}}}(v)$. We use $f(v)$ to approximate $f(v')$ which causes a relative error at most $e^{\sqrt{\epsilon n^{1/4}}}$, and use $|v' - u|^{n-1}$ to approximate $|x - u|^{n-1}$ for all $x \in Q_{i,j} \cap b_{\sqrt{\epsilon n^{1/4}}}(v)$ which causes a relative error at most e provided $\epsilon' \leq \sqrt{\epsilon n^{-3/4}}$ (noting that the distance between x and u is at most $\sqrt{\epsilon n^{1/4}}$). We have

$$\int_{Q_{i,j} \cap b_{\sqrt{\epsilon n^{1/4}}}(v)} \frac{f(x) dx}{n \text{Vol}(\mathbb{B}_n) \mu_f(u, x) |x - u|^{n-1}} \leq \frac{2e^{\sqrt{\epsilon n^{1/4}} + 2\epsilon' + 1} f(v')}{\epsilon' n \text{Vol}(\mathbb{B}_n) \hat{\mu}_f(\bar{K}_\epsilon, u, \epsilon') |v' - u|^{n-1}} \int_{Q_{i,j} \cap b_{\sqrt{\epsilon n^{1/4}}}(v)} dx \quad (5.11)$$

$$= \frac{2e^{\sqrt{\epsilon n^{1/4}} + 2\epsilon' + 1} f(v') \text{Vol}(Q_{i,j} \cap b_{\sqrt{\epsilon n^{1/4}}}(v))}{\epsilon' n \text{Vol}(\mathbb{B}_n) \hat{\mu}_f(\bar{K}_\epsilon, u, \epsilon') |v' - u|^{n-1}}, \quad (5.12)$$

where the inequality follows from [\(5.8\)](#). Let i_1, \dots, i_t be the indices such that $P_{i_j} \cap b_{\sqrt{\epsilon n^{1/4}}}(v) \neq \emptyset$ for $j \in [t]$. We use $\bigcup_{j \in [t]} P_{i_j} \cap b_{\sqrt{\epsilon n^{1/4}}}(v)$ as a partition to approximate $b_{\sqrt{\epsilon n^{1/4}}}(v)$, which causes a relative error at most $(1 + \epsilon)^n$ for $\text{Vol}(b_{\sqrt{\epsilon n^{1/4}}}(v))$. We have

$$\int_{b_{\sqrt{\epsilon n^{1/4}}}(v)} \frac{f(x) dx}{\mu_f(u, x) |x - u|^{n-1}} \leq (1 + \epsilon)^n \sum_{j \in [t]} \int_{b_{\sqrt{\epsilon n^{1/4}}}(v) \cap P_{i_j}} \frac{f(x) dx}{\mu_f(u, x) |x - u|^{n-1}}. \quad (5.13)$$

Hence,

$$\frac{(\sqrt{\epsilon})^n}{n^{n/4}} P'_u(b_{\sqrt{\epsilon}n^{1/4}}(v)) = \frac{2(\sqrt{\epsilon})^n}{n^{1+n/4} \text{Vol}(\mathbb{B}_n)} \int_{b_{\sqrt{\epsilon}n^{1/4}}(v)} \frac{f(x) dx}{\mu_f(u, x) |x - u|^{n-1}} \quad (5.14)$$

$$\leq \frac{2(\sqrt{\epsilon})^n (1 + \epsilon)^n}{n \text{Vol}(\mathbb{B}_n)} \sum_{j \in [t]} \int_{b_{\sqrt{\epsilon}n^{1/4}}(v) \cap P_{i_j}} \frac{f(x) dx}{\mu_f(u, x) |x - u|^{n-1}} \quad (5.15)$$

$$= \frac{2(\sqrt{\epsilon})^n (1 + \epsilon)^n}{n \text{Vol}(\mathbb{B}_n)} \sum_{j \in [t]} \sum_{k \in [c_i]} \int_{b_{\sqrt{\epsilon}n^{1/4}}(v) \cap Q_{i_j, k}} \frac{f(x) dx}{\mu_f(u, x) |x - u|^{n-1}} \quad (5.16)$$

$$\leq \sum_{j \in [t]} \sum_{k \in [c_i]} \frac{4(1 + \epsilon)^n e^{\sqrt{\epsilon}n^{1/4} + 2\epsilon' + 1} (\sqrt{\epsilon})^n f(v') \text{Vol}(Q_{i_j} \cap b_{\sqrt{\epsilon}n^{1/4}}(v))}{\epsilon' n \text{Vol}(\mathbb{B}_n) \hat{\mu}_f(\bar{\mathbb{K}}_\epsilon, u, \epsilon') |u - v'|^{n-1}} \quad (5.17)$$

$$\leq 4(1 + \epsilon)^n e^{\sqrt{\epsilon}n^{1/4} + 2\epsilon' + 1} \sum_{j \in [t]} \sum_{k \in [c_i]} \frac{2\epsilon^{n-1} (\sqrt{\epsilon})^n f(v')}{n \text{Vol}(\mathbb{B}_n) (\sqrt{n})^{n-1} \hat{\mu}(\ell_i(\bar{\mathbb{K}}_\epsilon, u, \epsilon'))} \quad (5.18)$$

$$= 4(1 + \epsilon)^n e^{\sqrt{\epsilon}n^{1/4} + 2\epsilon' + 1} P_{uv} \leq e^{5+2\epsilon'} P_{uv}, \quad (5.19)$$

where the last inequality holds when $\epsilon \leq 1/n$.

For $u \in K_\epsilon$ and $v \in K_{\sqrt{\epsilon}n^{1/4}}$, we use $\epsilon^n P_{uv}$ to approximate $\int_{x \in b_\epsilon(u)} P'_u(b_{\sqrt{\epsilon}n^{1/4}}(v)) d\pi_f(x)$. Note that for all $u' \in b_\epsilon(u)$, we have $|u' - v|^n \leq \epsilon |u - v|^n$. Also, let $\ell_u = \ell(u, v)$ and $\ell_{u'} = \ell(u', v)$. The lengths of ℓ_u and $\ell_{u'}$ can differ by at most a factor of 2. As a result, $\hat{\pi}_f(\ell_{u'}(\bar{\mathbb{K}}_\epsilon, u, \epsilon')) \leq 2\hat{\pi}_f(\ell_u(\bar{\mathbb{K}}_\epsilon, u', \epsilon'))$. It follows that $P_{uv} \geq P_{u'v}/(2e)$. Therefore,

$$\int_{x \in b_\epsilon(u)} P'_u(b_{\sqrt{\epsilon}n^{1/4}}(v)) d\pi_f(x) \leq \int_{x \in b_\epsilon(u)} \frac{2e^{5+2\epsilon'} n^{n/4}}{(\sqrt{\epsilon})^n} P_{xv} d\pi_f(x) \quad (5.20)$$

$$\leq \frac{2e^{5+2\epsilon'+\epsilon} n^{n/4}}{(\sqrt{\epsilon})^n} P_{uv} \hat{\pi}_f(u) \epsilon^n. \quad (5.21)$$

Next, for the relationship between $\hat{\pi}_f$ and π_f , we consider the sets $\bar{\mathbb{K}}_\epsilon \cap K$, $\bar{\mathbb{K}}_\epsilon \setminus K$, and $K \setminus \bar{\mathbb{K}}_\epsilon$ separately. Without loss of generality, assume $\hat{\pi}_f(S) \leq \hat{\pi}_f(K_\epsilon \setminus S)$. We partition S as $S_1 \cup S_2$, where $S_1 = \{x \in S : b_\epsilon(x) \subseteq K\}$ and $S_2 = S \setminus S_1$. We also define $\bar{S}_1 := \bigcup_{x \in S_1} b_\epsilon(x)$ and $\bar{S}_2 := \bigcup_{x \in S_2} b_\epsilon(x)$. For \bar{S}_1 , we use $f(v)$ to approximate $f(x)$ for all $x \in b_\epsilon(v)$; it follows that

$$\hat{\pi}_f(S_1) \leq e^{2\epsilon} \pi_f(\bar{S}_1) \quad \text{and} \quad \pi_f(\bar{S}_1) \leq e^{2\epsilon} \hat{\pi}_f(S_1). \quad (5.22)$$

For S_2 , we have

$$\hat{\pi}_f(S_2) \leq 2e^{2\epsilon} \pi_f(\bar{S}_2 \cap K), \quad (5.23)$$

so

$$\hat{\pi}_f(S) = \hat{\pi}_f(S_1) + \hat{\pi}_f(S_2) \quad (5.24)$$

$$\leq e^{2\epsilon} \pi_f(\bar{S}_1) + 2e^{2\epsilon} \pi_f(\bar{S}_2 \cap K) \quad (5.25)$$

$$\leq 3\pi_f(K \cap \bar{S}). \quad (5.26)$$

Now we bound the numerator of the conductance: $\sum_{u \in S} \sum_{v \in K_\epsilon \setminus S} P_{uv} \hat{\pi}_f(u)$. For $u \in S$ and $v \in K \setminus S$, we consider four cases. First, when $b_\epsilon(u), b_\epsilon(v) \subseteq K$, we have

$$P_{uv} \hat{\pi}_f(u) \geq \frac{(\sqrt{\epsilon})^n}{2e^{5+2\epsilon'+\epsilon} n^{n/4}} \int_{x \in b_\epsilon(u)} P'_u(b_{\sqrt{\epsilon}n^{1/4}}(v)) d\pi_f(x). \quad (5.27)$$

Second, when $b_\epsilon(u) \subseteq K$ and $b_\epsilon(v) \not\subseteq K$, we have

$$P_{uv}\hat{\pi}_f(u) \geq \frac{(\sqrt{\epsilon})^n}{2e^{5+2\epsilon'+\epsilon}n^{n/4}} \int_{x \in b_\epsilon(u)} P'_u(b_{\sqrt{\epsilon}n^{1/4}}(v)) d\pi_f(x) \quad (5.28)$$

$$\geq \frac{(\sqrt{\epsilon})^n}{2e^{5+2\epsilon'+\epsilon}n^{n/4}} \int_{x \in b_\epsilon(u)} P'_u(b_{\sqrt{\epsilon}n^{1/4}}(v) \cap K) d\pi_f(x). \quad (5.29)$$

Third, when $b_\epsilon(u) \not\subseteq K$ and $b_\epsilon(v) \subseteq K$, we have

$$P_{uv}\hat{\pi}_f(u) \geq \frac{(\sqrt{\epsilon})^n}{2e^{5+2\epsilon'+\epsilon}n^{n/4}} \int_{x \in b_\epsilon(u)} P'_u(b_{\sqrt{\epsilon}n^{1/4}}(v)) d\pi_f(x) \quad (5.30)$$

$$\geq \frac{(\sqrt{\epsilon})^n}{2e^{5+2\epsilon'+\epsilon}n^{n/4}} \int_{x \in b_\epsilon(u) \cap K} P'_u(b_{\sqrt{\epsilon}n^{1/4}}(v)) d\pi_f(x). \quad (5.31)$$

Fourth, when $b_\epsilon(u) \not\subseteq K$ and $b_\epsilon(v) \not\subseteq K$, we have

$$P_{uv}\hat{\pi}_f(u) \geq \frac{(\sqrt{\epsilon})^n}{2e^{5+2\epsilon'+\epsilon}n^{n/4}} \int_{x \in b_\epsilon(u)} P'_u(b_{\sqrt{\epsilon}n^{1/4}}(v)) d\pi_f(x) \quad (5.32)$$

$$\geq \frac{(\sqrt{\epsilon})^n}{2e^{5+2\epsilon'+\epsilon}n^{n/4}} \int_{x \in b_\epsilon(u) \cap K} P'_u(b_{\sqrt{\epsilon}n^{1/4}}(v) \cap K) d\pi_f(x). \quad (5.33)$$

We also need to consider the set $K \setminus \bar{K}_\epsilon$. There exists a small subset $E \subseteq K \setminus \bar{K}_\epsilon$ such that $\pi_f(E) \leq \epsilon\pi_f(S)$. We need to consider the transition from E to $\subseteq K \setminus \bar{K}_\epsilon \setminus E$: we have $\int_{x \in E} P'_x(K \setminus \bar{K}_\epsilon \setminus E) d\pi_f(x) \leq \pi_f(E) \leq \epsilon\pi_f(S)$. Putting everything together, we have

$$\begin{aligned} \sum_{u \in S} \sum_{v \in K_\epsilon \setminus S} P_{uv}\hat{\pi}_f(u) + \int_{x \in E \cap K} P'_x(K \setminus \bar{K}_\epsilon \setminus E) d\pi_f(x) \\ \geq \frac{1}{2e^{5+2\epsilon'+\epsilon}} \int_{x \in \bar{S} \cap K \cup E} P'_x(K \setminus (\bar{S} \cap K \cup E)) d\pi_f(x), \end{aligned} \quad (5.34)$$

which further implies that

$$\sum_{u \in S} \sum_{v \in K_\epsilon \setminus S} P_{uv}\hat{\pi}_f(u) \geq \frac{1}{2e^{5+2\epsilon'+\epsilon}} \int_{x \in \bar{S} \cap K \cup E} P'_x(K \setminus (\bar{S} \cap K \cup E)) d\pi_f(x) - \epsilon\pi_f(S) \quad (5.35)$$

$$\geq \frac{1}{2e^{5+2\epsilon'+\epsilon}} \int_{x \in \bar{S} \cap K \cup E} P'_x(K \setminus (\bar{S} \cap K \cup E)) d\pi_f(x) - \epsilon e^\epsilon \hat{\pi}_f(S). \quad (5.36)$$

By [Proposition 2.3](#), we have

$$\phi(S) = \frac{\sum_{u \in S} \sum_{v \in K_\epsilon \setminus S} P_{uv}\hat{\pi}_f(u)}{\hat{\pi}_f(S)} \quad (5.37)$$

$$\geq \frac{1}{2e^{5+2\epsilon'+\epsilon}} \frac{\int_{x \in \bar{S} \cap K \cup E} P'_x(K \setminus (\bar{S} \cap K \cup E)) d\pi_f(x)}{\hat{\pi}_f(S)} - \frac{\epsilon}{2e^{4+2\epsilon'}} \quad (5.38)$$

$$\geq \frac{1}{6e^{5+2\epsilon'+\epsilon}} \frac{\int_{x \in \bar{S} \cap K \cup E} P'_x(K \setminus (\bar{S} \cap K \cup E)) d\pi_f(x)}{\pi_f(\bar{S} \cap K) + \pi_f(E)} - \frac{\epsilon}{2e^{5+2\epsilon'}} \quad (5.39)$$

$$\geq \frac{1}{10^{14}e^{5+2\epsilon'+\epsilon}n\sqrt{n} \ln\left(\frac{n\sqrt{n}}{\pi_f(\bar{S} \cap K)}\right)} - \frac{\epsilon}{2e^{5+2\epsilon'}} \quad (5.40)$$

$$\geq \frac{1}{10^{14}e^{5+2\epsilon'+\epsilon}n\sqrt{n} \ln\left(\frac{n\sqrt{n}}{(1-e^{-\epsilon}/2)e^\epsilon \hat{\pi}_f(S)}\right)} - \frac{\epsilon}{2e^{5+2\epsilon'}}, \quad (5.41)$$

where the third inequality follows from (5.26). The above inequality can be simplified to

$$\phi(S) \geq \frac{1}{10^{16}n\sqrt{n} \ln\left(\frac{2n\sqrt{n}}{\hat{\pi}_f(S)}\right)} - \epsilon, \quad (5.42)$$

which is exactly the claim in [Theorem 5.1](#). \square

The mixing time for the discrete hit-and-run walk can be bounded by the following corollary.

Corollary 5.1. *Let K_ϵ be the discretization of convex body K that contains a unit ball and is contained in a ball with radius $R \leq \sqrt{n}$. Let the density function be $f(x) = e^{-a^T x}$ having support K where $a = (1, 0, \dots, 0)$. Let $\epsilon' \leq \sqrt{\epsilon}n^{-3/4}$. Let the initial distribution be σ and the distribution after m steps be σ^m . If $\sum_{x \in K_\epsilon} \frac{\sigma(x)}{\hat{\pi}_f(x)} \sigma(x) \leq M$ then, after*

$$m \geq 10^{33}n^3 \ln^2 \frac{Mn\sqrt{n}}{\epsilon} \ln \frac{M}{\epsilon} \quad (5.43)$$

steps, we have $d_{\text{TV}}(\sigma^m, \hat{\pi}_f) \leq \epsilon$.

Proof. First note that, since $\sum_{x \in K_\epsilon} \frac{\sigma(x)}{\hat{\pi}_f(x)} \sigma(x) \leq M$, the set $S = \{x : \sigma(x)/\hat{\pi}_f(x) > 2M/\epsilon\}$ has measure $\sigma(S) \leq \epsilon/2$. Then a random point in K_ϵ can be thought of as being generated with probability $1 - \epsilon/2$ from a distribution σ' satisfying $\frac{\sigma'(S')}{\hat{\pi}_f(S')} \leq 2M/\epsilon$ for any subset $S' \subseteq K_\epsilon$ and with probability $\epsilon/2$ from some other distribution. As a consequence of [Theorem 5.1](#), for any such subset S' with $\hat{\pi}_f(S') = p$, the conductance of S' is at least

$$\Phi_p = \frac{1}{10^{16}n\sqrt{n} \ln(2n\sqrt{n}/p)} - \epsilon. \quad (5.44)$$

For the purpose of analysis, we use $p = \frac{\epsilon}{2M}$. When ϵ is reasonably small (say, $\epsilon \leq \frac{1}{2 \cdot 10^{16}n\sqrt{n} \ln(Mn\sqrt{n}/\epsilon)}$), the ϵ term in the conductance bound can be ignored with an additional $1/2$ factor. Then we have $\Phi_p \geq \frac{1}{2 \cdot 10^{16}n\sqrt{n} \ln(2n\sqrt{n}/p)}$. By the condition that $\sigma'(S') \leq (2M/\epsilon)\hat{\pi}_f(S')$, as well as the way a random point in K_ϵ is generated, [Proposition 2.2](#) implies that

$$d_{\text{TV}}(\sigma^m, \hat{\pi}_f) \leq \frac{\epsilon}{2} + \left(1 - \frac{\epsilon}{2}\right) \left(\epsilon + \frac{4M}{\epsilon} \left(1 - \frac{\Phi_p}{2}\right)^m\right). \quad (5.45)$$

Therefore, after the claimed number of steps, the total variation distance is at most ϵ . \square

As the uniform distribution is a special case of a log-concave distribution, the proof of [Theorem 5.1](#) also applies to this case. More specifically, we use [Proposition 2.4](#) in (5.40), which yields the following stronger corollary.

Corollary 5.2. *Let K_ϵ be the discretization of a convex body K that contains a unit ball and is contained in a ball with radius $R \leq \sqrt{n}$. Let $\epsilon' \leq \sqrt{\epsilon}n^{-3/4}$. The conductance of the hit-and-run walk in K_ϵ with uniform distribution satisfies*

$$\phi \geq \frac{1}{2^{26}n\sqrt{n}} - \epsilon. \quad (5.46)$$

Note that [Corollary 5.2](#) is stronger than [Theorem 5.1](#) because (5.46) is independent of $S \subseteq K_\epsilon$.

5.3 Implementing the quantum walk operators

We now describe how to implement the discretized quantum walk. Following (1.2), consider a convex body K such that $B_2(0, r) \subseteq K \subseteq B_2(0, R)$. Each stage of the volume estimation algorithm involves a hit-and-run walk over the convex body with target density e^{-ax_0} . In order to use techniques from [61] to obtain a speedup in mixing time, we implement the quantum walk operator W corresponding to an ϵ -discretized version of this walk Algorithm 5.

Let $|x\rangle$ be the register for the state of the walk, and U be a unitary that satisfies $U|x\rangle|0\rangle = |x\rangle|p_x\rangle$ for all $|x\rangle$ (recall that $|p_x\rangle = \sum_{y \in K_\epsilon} \sqrt{p_{x \rightarrow y}}|y\rangle$ where $p_{x \rightarrow y}$ is the probability of a transition from x to y). Since the state of the hit-and-run walk is given by points on an ϵ -grid that can be restricted to $B_2(0, R)$, there are $(\frac{2R}{\epsilon})^n$ possible values of x and thus $|x\rangle$ can be represented using $n \log(\frac{2R}{\epsilon})$ qubits. In the rest of the section, we abuse notation by letting x refer to both a point on the grid and its corresponding bit representation. Then the quantum walk operator [61] can be realized as

$$W' = U^\dagger SUR_{\mathcal{A}} U^\dagger SUR_{\mathcal{A}} \quad (5.47)$$

where $R_{\mathcal{A}}$ is the reflection around the subspace $\mathcal{A} = \text{span}\{|x\rangle|0\rangle \mid x \in K_\epsilon\}$ and S is the swap operator. It thus remains to implement the operator U .

Continuous case We first explain a continuous version of the implementation before explaining how it can be discretized. Given an input $|x\rangle$, consider n real ancilla registers, each in the state $\int_0^1 |z\rangle dz$. Given a pair of uniformly distributed random variables ξ_1, ξ_2 , the Box-Muller transform

$$\phi_1 = \sqrt{-2\delta^2 \ln \xi_1} \cos 2\pi\xi_2 \quad (5.48)$$

$$\phi_2 = \sqrt{-2\delta^2 \ln \xi_1} \sin 2\pi\xi_2 \quad (5.49)$$

yields two variables ϕ_1, ϕ_2 that are distributed according to a univariate normal distribution with mean 0 and variance δ^2 . Thus applying the unitary mapping

$$|\xi_1\rangle|\xi_2\rangle \mapsto \left| \sqrt{-4 \ln \xi_1} \cos 2\pi\xi_2 \right| \left| \sqrt{-4 \ln \xi_1} \sin 2\pi\xi_2 \right\rangle \quad (5.50)$$

to $\int_0^1 |z\rangle dz \otimes \int_0^1 |z\rangle dz$ yields the state $\int_{\mathbb{R}} \frac{1}{\sqrt{4\pi}} e^{-z^2/4} |z\rangle dz \otimes \int_{\mathbb{R}} \frac{1}{\sqrt{4\pi}} e^{-z^2/4} |z\rangle dz$. With n such registers, we have the state

$$\int_{\mathbb{R}^n} \frac{1}{\sqrt{4\pi}} e^{-(\sum_{i=1}^n z_i^2/4)} |z\rangle dz. \quad (5.51)$$

We now compute the unit vector (direction) corresponding to each x in a different ancilla register, and uncompute the Gaussian registers. Since $\frac{1}{\sqrt{4\pi}} e^{-(\sum_{i=1}^n x_i^2/4)}$ is independent of the direction of the vector z , we obtain a uniform distribution over all the directions on the n -dimensional sphere S^n given by

$$\sqrt{\frac{n\pi^{n/2}}{\Gamma(n + \frac{1}{2})}} \int_{S^n} |u\rangle du. \quad (5.52)$$

Corresponding to each direction u , the line $\{x + tu : t \in \mathbb{R}\}$ intersects the convex body K at two points with parameters t_1, t_2 . These points as well as the length $l(u) = |t_1 - t_2|$ can be determined within error ϵ using $O(\log \frac{1}{\epsilon})$ calls to the membership oracle. We must now map each direction $|u\rangle$ to a superposition proportional to $\int_{t_1}^{t_2} e^{a^T(x+tu)/2} |x + tu\rangle dt = \int_{t_1}^{t_2} e^{a_0(x_0+tu_0)/2} |x + tu\rangle dt$. Since the

exponential distribution is efficiently integrable, this can be easily effected by making a variable change starting from the state $\int_0^1 |z\rangle dz$. The normalization factor is

$$A := \sqrt{\frac{a_0 u_0}{e^{-a_0 x_0} (e^{-a_0 t_1} - e^{-a_0 t_2})}}. \quad (5.53)$$

Consider the variable change $f: [0, 1] \rightarrow [t_1, t_2]$ such that $\frac{df^{-1}(t)}{dt} = A e^{a_0(x_0+tu_0)/2}$, $f(0) = t_1$, $f(1) = t_2$. This mapping applied to $\int_0^1 |z\rangle dz$ produces $\int_{t_1}^{t_2} A e^{a_0(x_0+tu_0)/2} |t\rangle dt$, which can be transformed to $\int_{t_1}^{t_2} e^{a_0(x_0+tu_0)/2} |x+tu\rangle dt$ with an operation controlled on the input register x . This produces the appropriate superposition over points corresponding to each direction.

Discrete case The operator U can be implemented in a discrete setting using a similar process to the continuous case with two main changes:

- Instead of a continuous uniform variable $\int_0^1 |z\rangle dz$ we use a discrete uniform distribution. We can create a uniform distribution on a grid with spacing ϵ as follows. We take n sets of ancilla registers, each consisting of $\log(1/\epsilon)$ registers initialized to the state 0. We apply Hadamard gates to each of these registers, giving the superposition $\bigotimes_{i=1}^n \sqrt{\epsilon} \sum_{z_i=0}^{1/\epsilon-1} |z_i\rangle$. Each $|z\rangle$ can be mapped to $|z\epsilon\rangle$, producing the required uniform distribution over the grid.
- Applying a bijective mapping to a discrete uniform distribution simply relabels the states, so the change of variable methods used in the continuous setting cannot be used to construct the Gaussian and exponential superpositions. We use instead the Grover-Rudolph method [23] that prepares states with amplitudes corresponding to efficiently integrable probability distributions. Exponential distributions can be analytically integrated, and an n -dimensional Gaussian variable is a product of n univariate standard normal distributions, each of which can be efficiently integrated by Monte Carlo methods.

Given a point $u \in K_\epsilon$ and a line $l(u, \epsilon)$ to be approximately uniformly sampled, we determine the range of points in $l(\overline{K}_\epsilon, u, \epsilon')$ using binary search with the membership oracle and prepare an exponential superposition as described above. We apply a unitary mapping to compute the closest point $v'' \in K_{\sqrt{\epsilon n^{1/4}}}$. Finally, corresponding to each point v'' , we generate a uniform distribution over an ϵ grid in $b_{\sqrt{\epsilon n^{1/4}}} \cap (\mathbb{R}_n)_\epsilon$ by applying the Hadamard transform to $\log(n^{1/4}/\sqrt{\epsilon})$ qubits.

Overall, this implementation of the discretized quantum hit-and-run walk operator gives the following.

Theorem 5.2. *The gate complexity of implementing an operator \tilde{U} such that $\|\tilde{U} - U\| = O(\epsilon)$ where $U|x\rangle|0\rangle = |x\rangle \sum_{y \in K_\epsilon} \sqrt{p_{x \rightarrow y}} |y\rangle$ is $\tilde{O}(n \log(\frac{1}{\epsilon}))$. The corresponding quantum walk operator W can be implemented using a constant number of calls to U .*

6 Quantum lower bound for volume estimation

In this section, we prove the following quantum query lower bound on volume estimation.

Theorem 6.1. *Suppose $0 < \epsilon < \sqrt{2} - 1$. Estimating the volume of K with multiplicative precision ϵ requires $\Omega(\sqrt{n})$ quantum queries to the membership oracle O_K defined in (1.3).*

Proof. We prove Theorem 6.1 by reduction from search. In the search problem, we are given an oracle $O_s: |i, b\rangle \mapsto |i, b \oplus s_i\rangle$ for an input n -bit string $s = (s_1, \dots, s_n) \in \{0, 1\}^n$, and the task is to

find an index i such that $s_i = 1$. It is well known that the bounded-error quantum query complexity of this problem is $\Omega(\sqrt{n})$ [8].

To establish an $\Omega(\sqrt{n})$ lower bound for volume estimation, for an n -bit string $s \in \{0, 1\}^n$ with Hamming weight $|s|_{\text{Ham}} \leq 1$, we consider the convex body $K = \times_{i=1}^n [0, 2^{s_i}]$. The volume of K is $2^{|s|_{\text{Ham}}} \in \{1, 2\}$, and membership in K is determined by the function

$$\text{MEM}_s(x) := \begin{cases} 1 & \text{if for each } i \in [n], 0 \leq x_i \leq 2^{s_i}, \\ 0 & \text{otherwise.} \end{cases} \quad (6.1)$$

The corresponding membership oracle O_K (defined in (1.3)) can be simulated by querying O_s using Algorithm 6.

Algorithm 6: Simulating MEM_s with one query to O_s .

Input: A vector $x = (x_1, \dots, x_n) \in \mathbb{R}^n$.

Output: $\text{MEM}_s(x)$.

```

1 for  $i = 1, \dots, n$  do
2   if  $x_i > 2$  or  $x_i < 0$  then
3     | Return 0;
4   Set  $y_i = 1$  if  $x_i > 1$  and 0 otherwise;
5 if  $|y|_{\text{Ham}} \geq 1$  then
6   | Return 0;
7 else
8   if  $|y|_{\text{Ham}} = 1$  then
9     | Find  $i$  such that  $y_i = 1$ . Return  $O_s(i)$ ;
10  else
11   | Return 1;
12 Return  $O_s(i)$ ;

```

We now prove that for any positive integer k and $s \in \{0, 1\}^n$ with $|s|_{\text{Ham}} \leq 1$, if there is a k -query algorithm that computes the volume with access to MEM_s , then there is a k -query algorithm for deciding whether $|s|_{\text{Ham}} > 0$ with access to O_s . We first show that Algorithm 6 simulates the oracle MEM_s . In the for loop of Line 1, we know that $y_i = 1$ if and only if $1 < x_i \leq 2$, which is inside the convex body if $s_i = 1$. The case $|y|_{\text{Ham}} > 1$ implies that there exist two distinct coordinates i, j such that $x_i, x_j > 1$, which implies that x lies outside the convex body. Now we are left with the cases $|y|_{\text{Ham}} = 1$ or 0. In Line 9, $y_i = 1$ implies $1 < x_i \leq 2$, which lies in the convex body if and only if $s_i = O_s(i) = 1$. Also, $|y| = 0$ implies that for every coordinate i , $0 \leq x_i \leq 1$, which lies in the body for all s .

Finally, if there is a k -query algorithm that computes an estimate $\widetilde{\text{Vol}}(K)$ of the volume of K up to multiplicative precision $0 < \epsilon < \sqrt{2} - 1$, then $s = \lceil \log_2 \widetilde{\text{Vol}}(K) \rceil$ where $\lceil \cdot \rceil$ returns the nearest integer. This immediately gives a k -query algorithm that decides whether $|s|_{\text{Ham}} > 0$. Since there is an $\Omega(\sqrt{n})$ quantum query lower bound for this task, the $\Omega(\sqrt{n})$ lower bound on volume estimation follows. \square

Acknowledgements

TL and CW thank Nai-Hui Chia for helpful discussions. SC, AMC, TL, and XW were supported in part by the U.S. Department of Energy, Office of Science, Office of Advanced Scientific Computing Research, Quantum Algorithms Teams program. AMC also received support from the Army Research Office (MURI award W911NF-16-1-0349), the Canadian Institute for Advanced Research, and the National Science Foundation (grant CCF-1813814). SHH received support from the U.S. Department of Energy, Office of Science, Office of Advanced Scientific Computing Research, Quantum Testbed Pathfinder program under Award Number DE-SC0019040. TL also received support from an IBM Ph.D. Fellowship and an NSF QISE-NET Triplet Award (grant DMR-1747426). XW also received support from the National Science Foundation (grants CCF-1755800 and CCF-1816695).

References

- [1] Dorit Aharonov, Andris Ambainis, Julia Kempe, and Umesh Vazirani, *Quantum walks on graphs*, Proceedings of the 33rd Annual ACM Symposium on Theory of Computing, pp. 50–59, 2001, [arXiv:quant-ph/0012090](#).
- [2] Dorit Aharonov and Amnon Ta-Shma, *Adiabatic quantum state generation and statistical zero knowledge*, Proceedings of the 35th Annual ACM Symposium on Theory of Computing, pp. 20–29, 2003, [arXiv:quant-ph/0301023](#).
- [3] Gorjan Alagic and Alexander Russell, *Decoherence in quantum walks on the hypercube*, Physical Review A **72** (2005), 062304, [arXiv:quant-ph/0501169](#).
- [4] Andris Ambainis, Eric Bach, Ashwin Nayak, Ashvin Vishwanath, and John Watrous, *One-dimensional quantum walks*, Proceedings of the 33rd Annual ACM Symposium on Theory of Computing, pp. 37–49, 2001.
- [5] Joran van Apeldoorn, András Gilyén, Sander Gribling, and Ronald de Wolf, *Convex optimization using quantum oracles*, 2018, [arXiv:1809.00643](#).
- [6] David Applegate and Ravi Kannan, *Sampling and integration of near log-concave functions*, Proceedings of the 23rd Annual ACM Symposium on Theory of Computing, pp. 156–163, 1991.
- [7] Imre Bárány and Zoltán Füredi, *Computing the volume is difficult*, Discrete & Computational Geometry **2** (1987), no. 4, 319–326.
- [8] Charles H. Bennett, Ethan Bernstein, Gilles Brassard, and Umesh Vazirani, *Strengths and weaknesses of quantum computing*, SIAM Journal on Computing **26** (1997), no. 5, 1510–1523, [arXiv:quant-ph/9701001](#).
- [9] Sergio Boixo and Rolando D. Somma, *Quantum algorithms for simulated annealing*, 2015, [arXiv:1512.03806](#).
- [10] Gilles Brassard, Peter Høyer, Michele Mosca, and Alain Tapp, *Quantum amplitude amplification and estimation*, Contemporary Mathematics **305** (2002), 53–74, [arXiv:quant-ph/0005055](#).

- [11] Gilles Brassard, Peter Høyer, and Alain Tapp, *Quantum counting*, Proceedings of the 25th International Colloquium on Automata, Languages, and Programming, pp. 820–831, 1998, [arXiv:quant-ph/9805082](#).
- [12] Shouvanik Chakrabarti, Andrew M. Childs, Tongyang Li, and Xiaodi Wu, *Quantum algorithms and lower bounds for convex optimization*, 2018, [arXiv:1809.01731](#).
- [13] Shantanav Chakraborty, Kyle Luh, and Jérémie Roland, *On analog quantum algorithms for the mixing of Markov chains*, 2019, [arXiv:1904.11895](#).
- [14] Andrew M. Childs, Richard Cleve, Enrico Deotto, Edward Farhi, Sam Gutmann, and Daniel A. Spielman, *Exponential algorithmic speedup by quantum walk*, Proceedings of the 35th ACM Symposium on Theory of Computing, pp. 59–68, 2003, [quant-ph/0209131](#).
- [15] Ben Cousins and Santosh Vempala, *A cubic algorithm for computing Gaussian volume*, Proceedings of the 25th Annual ACM-SIAM Symposium on Discrete Algorithms, pp. 1215–1228, 2014, [arXiv:1306.5829](#).
- [16] Ben Cousins and Santosh Vempala, *Bypassing KLS: Gaussian cooling and an $O^*(n^3)$ volume algorithm*, Proceedings of the 47th Annual ACM Symposium on Theory of Computing, pp. 539–548, 2015, [arXiv:1409.6011](#).
- [17] Persi Diaconis and Daniel Stroock, *Geometric bounds for eigenvalues of Markov chains*, The Annals of Applied Probability **1** (1991), no. 1, 36–61.
- [18] Martin Dyer and Alan Frieze, *Computing the volume of convex bodies: a case where randomness provably helps*, Probabilistic Combinatorics and its Applications **44** (1991), 123–170.
- [19] Martin Dyer, Alan Frieze, and Ravi Kannan, *A random polynomial-time algorithm for approximating the volume of convex bodies*, Journal of the ACM **38** (1991), no. 1, 1–17.
- [20] Martin E. Dyer and Alan M. Frieze, *On the complexity of computing the volume of a polyhedron*, SIAM Journal on Computing **17** (1988), no. 5, 967–974.
- [21] György Elekes, *A geometric inequality and the complexity of computing volume*, Discrete & Computational Geometry **1** (1986), no. 4, 289–292.
- [22] Edward Farhi and Sam Gutmann, *Quantum computation and decision trees*, Physical Review A **58** (1998), no. 2, 915–928, [arXiv:quant-ph/9706062](#).
- [23] Lov Grover and Terry Rudolph, *Creating superpositions that correspond to efficiently integrable probability distributions*, 2002, [arXiv:quant-ph/0208112](#).
- [24] Lov K. Grover, *A different kind of quantum search*, 2005, [arXiv:quant-ph/0503205](#).
- [25] Yassine Hamoudi and Frédéric Magniez, *Quantum Chebyshev’s inequality and applications*, Proceedings of the 46th International Colloquium on Automata, Languages, and Programming, Leibniz International Proceedings in Informatics, vol. 132, pp. 69:1–69:16, 2019, [arXiv:1807.06456](#).
- [26] Aram W. Harrow and Annie Y. Wei, *Adaptive quantum simulated annealing for Bayesian inference and estimating partition functions*, 2019, [arXiv:1907.09965](#).

- [27] Ravi Kannan, László Lovász, and Miklós Simonovits, *Random walks and an $O^*(n^5)$ volume algorithm for convex bodies*, Random Structures & Algorithms **11** (1997), no. 1, 1–50.
- [28] Leonid G. Khachiyan, *On the complexity of computing the volume of a polytope*, Izvestia Akad. Nauk SSSR, Engineering Cybernetics **3** (1988), 216–217.
- [29] Leonid G. Khachiyan, *The problem of computing the volume of polytopes is NP-hard*, Uspekhi Mat. Nauk **44** (1989), no. 3, 199–200.
- [30] Yin Tat Lee, Aaron Sidford, and Santosh S. Vempala, *Efficient convex optimization with membership oracles*, Proceedings of the 31st Conference on Learning Theory, Proceedings of Machine Learning Research, vol. 75, pp. 1292–1294, 2018, [arXiv:1706.07357](#).
- [31] Yin Tat Lee, Aaron Sidford, and Sam Chiu-wai Wong, *A faster cutting plane method and its implications for combinatorial and convex optimization*, Proceedings of the 56th Annual IEEE Symposium on Foundations of Computer Science, pp. 1049–1065, 2015, [arXiv:1508.04874](#).
- [32] Yin Tat Lee and Santosh S. Vempala, *Eldan’s stochastic localization and the KLS hyperplane conjecture: An improved lower bound for expansion*, Proceedings of the 58th Annual Symposium on Foundations of Computer Science, pp. 998–1007, 2017, [arXiv:1612.01507](#).
- [33] Yin Tat Lee and Santosh S. Vempala, *Convergence rate of Riemannian Hamiltonian Monte Carlo and faster polytope volume computation*, Proceedings of the 50th Annual Symposium on Theory of Computing, pp. 1115–1121, 2018, [arXiv:1710.06261](#).
- [34] Yin Tat Lee and Santosh S. Vempala, *The Kannan-Lovász-Simonovits conjecture*, 2018, [arXiv:1807.03465](#).
- [35] David A. Levin, Yuval Peres, and Elizabeth L. Wilmer, *Markov chains and mixing times*, American Mathematical Society, 2017.
- [36] Tongyang Li and Xiaodi Wu, *Quantum query complexity of entropy estimation*, IEEE Transactions on Information Theory **65** (2019), no. 5, 2899–2921, [arXiv:1710.06025](#).
- [37] László Lovász, *Hit-and-run mixes fast*, Mathematical Programming **86** (1999), no. 3, 443–461.
- [38] László Lovász and Miklós Simonovits, *The mixing rate of Markov chains, an isoperimetric inequality, and computing the volume*, Proceedings of the 31st Annual Symposium on Foundations of Computer Science, pp. 346–354, 1990.
- [39] László Lovász and Miklós Simonovits, *Random walks in a convex body and an improved volume algorithm*, Random Structures & Algorithms **4** (1993), no. 4, 359–412.
- [40] László Lovász and Santosh Vempala, *Fast algorithms for logconcave functions: Sampling, rounding, integration and optimization*, Proceedings of the 47th Annual IEEE Symposium on Foundations of Computer Science, pp. 57–68, 2006.
- [41] László Lovász and Santosh Vempala, *Hit-and-run from a corner*, SIAM Journal on Computing **35** (2006), no. 4, 985–1005.
- [42] László Lovász and Santosh Vempala, *Simulated annealing in convex bodies and an $O^*(n^4)$ volume algorithm*, Journal of Computer and System Sciences **72** (2006), no. 2, 392–417, preliminary version in 44th Annual IEEE Symposium on Foundations of Computer Science, pp. 650–659, 2003.

- [43] Frédéric Magniez, Ashwin Nayak, Jérémie Roland, and Miklos Santha, *Search via quantum walk*, SIAM Journal on Computing **40** (2011), no. 1, 142–164, [arXiv:quant-ph/0608026](#).
- [44] George Marsaglia, *Choosing a point from the surface of a sphere*, The Annals of Mathematical Statistics **43** (1972), no. 2, 645–646.
- [45] Ashley Montanaro, *Quantum speedup of Monte Carlo methods*, Proceedings of the Royal Society A **471** (2015), no. 2181, 20150301, [arXiv:1504.06987](#).
- [46] Mervin E. Muller, *A note on a method for generating points uniformly on n-dimensional spheres*, Communications of the ACM **2** (1959), no. 4, 19–20.
- [47] Davide Orsucci, Hans J. Briegel, and Vedran Dunjko, *Faster quantum mixing for slowly evolving sequences of Markov chains*, Quantum **2** (2018), 105, [arXiv:1503.01334](#).
- [48] Luis Rademacher and Santosh Vempala, *Dispersion of mass and the complexity of randomized geometric algorithms*, Advances in Mathematics **219** (2008), no. 3, 1037–1069, [arXiv:cs/0608054](#).
- [49] Peter C. Richter, *Almost uniform sampling via quantum walks*, New Journal of Physics **9** (2007), no. 3, 72, [arXiv:quant-ph/0606202](#).
- [50] Peter C. Richter, *Quantum speedup of classical mixing processes*, Physical Review A **76** (2007), no. 4, 042306, [arXiv:quant-ph/0609204](#).
- [51] Mark Rudelson, *Random vectors in the isotropic position*, Journal of Functional Analysis **164** (1999), no. 1, 60–72, [arXiv:math/9608208](#).
- [52] Walter Rudin, *Principles of mathematical analysis*, vol. 3, McGraw-Hill, 1964.
- [53] Jun John Sakurai and Jim Napolitano, *Modern quantum mechanics*, Pearson Harlow, 2014.
- [54] Robert L. Smith, *Efficient Monte Carlo procedures for generating points uniformly distributed over bounded regions*, Operations Research **32** (1984), no. 6, 1296–1308.
- [55] Rolando D. Somma, Sergio Boixo, and Howard Barnum, *Quantum simulated annealing*, 2007, [arXiv:0712.1008](#).
- [56] Rolando D. Somma, Sergio Boixo, Howard Barnum, and Emanuel Knill, *Quantum simulations of classical annealing processes*, Physical Review Letters **101** (2008), no. 13, 130504, [arXiv:0804.1571](#).
- [57] Daniel Štefankovič, Santosh Vempala, and Eric Vigoda, *Adaptive simulated annealing: A near-optimal connection between sampling and counting*, Journal of the ACM **56** (2009), no. 3, 1–36, [arXiv:cs/0612058](#).
- [58] Mario Szegedy, *Quantum speed-up of Markov chain based algorithms*, Proceedings of the 45th Annual IEEE Symposium on Foundations of Computer Science, pp. 32–41, 2004.
- [59] Kristan Temme, Tobias J. Osborne, Karl G. Vollbrecht, David Poulin, and Frank Verstraete, *Quantum Metropolis sampling*, Nature **471** (2011), no. 7336, 87–90, [arXiv:0911.3635](#).
- [60] Santosh Vempala, *Geometric random walks: a survey*, Combinatorial and Computational Geometry (Jacob E. Goodman, János Pach, and Emo Welzl, eds.), Mathematical Sciences Research Institute Publications, vol. 52, MSRI, 2005, pp. 573–612.

- [61] Pawel Wocjan and Anura Abeyesinghe, *Speedup via quantum sampling*, Physical Review A **78** (2008), no. 4, 042336, [arXiv:0804.4259](#).
- [62] Pawel Wocjan, Chen-Fu Chiang, Daniel Nagaj, and Anura Abeyesinghe, *Quantum algorithm for approximating partition functions*, Physical Review A **80** (2009), no. 2, 022340, [arXiv:0811.0596](#).